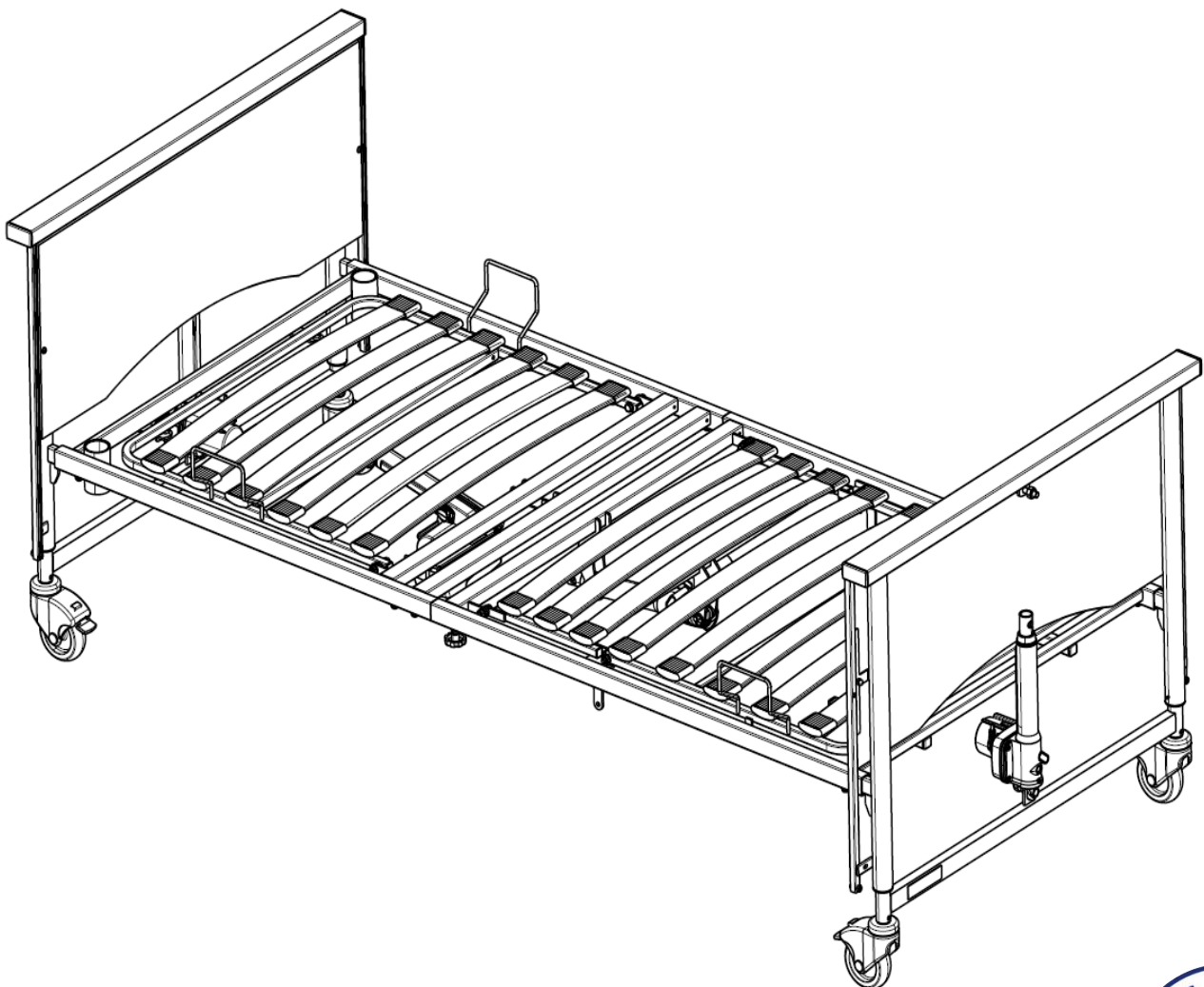


User manual



MANUEL D'UTILISATION
GEBRUIKSAANWIJZING
GEBRAUCHSANWEISUNG
MANUALE DI ISTRUZIONI
MANUAL DE INSTRUCCIONES
INSTRUKCJA OBSŁUGI
NÁVOD K OBSLUZE

Club



EN

Instructions for specialist dealer

This instruction manual is part and parcel of the product and must accompany every product sold.

Version: B, 2023-05

FR

Instructions pour les distributeurs

Ce manuel d'instructions fait partie du produit et doit accompagner chaque produit vendu.

Version : B, 2023-05

NL

Instructies voor de vakhandelaar

Deze handleiding is deel van het product en dient bij iedere product te worden geleverd.

Versie: B, 2023-05

DE

Hinweise für den Fachhändler

Diese Gebrauchsanweisung ist Bestand-teil des Produkts und ist bei jeder Produkts auszuhändigen.

Version: B, 2023-05

IT

Istruzioni per il rivenditore

Il presente Manuale di istruzioni è parte integrante del prodotto e deve essere fornito assieme alla prodotto.

Versione: B, 2023-05

ES

Instrucciones destinadas a los distribuidores especializados

El presente manual de instrucciones es parte integrante del producto y se debe adjuntar a todas las producto que se vendan.

Versión: B, 2023-05

PL

Instrukcje dla wyspecjalizowanego sprzedawcy

Niniejsza instrukcja obsługi jest nieodłączną częścią produktu i musi być dołączona do każdego sprzedawanego produktu.

Wersja: B, 2023-05

CS

Pokyny pro specializovaného prodejce

Tento návod k obsluze je součástí dodávky a musí být součástí každého prodaného produktu.

Verze: B, 2023-05

All rights reserved, including translation.

Tous droits réservés, y compris la traduction.

Alle rechten, inclusief vertaling, voorbehouden.

Alle Rechte, auch an der Übersetzung, vorbehalten.

Tutti i diritti riservati (anche sulla traduzione).

Todos los derechos reservados, incluidos los de la traducción.

Wszelkie prawa zastrzeżone, łącznie z tłumaczeniem.

Všechna práva vyhrazena, včetně překladu.

Contents

Contents	1
Preface	2
1 Your product	3
2 Before use	4
2.1 Intended Use	4
2.2 General safety instructions	4
2.3 Symbols on the nursing bed	5
3 Using your bed	6
3.1 Assembling/disassembling, transport and storage	6
3.2 Installation	6
3.3 Using the handset	6
3.4 Operating the steering castors	7
3.5 Operating side rails (optional)	8
3.6 Adjusting leg section manually (optional)	9
3.7 Moving to/from the bed	9
4 Maintenance	10
4.1 Time of maintenance	10
4.2 Instructions for maintenance	10
4.3 Troubleshooting	11
4.4 Expected lifespan	11
4.5 Reuse	11
4.6 End of use	11
5 Technical specifications	12

Preface

Congratulations! You are now owner of a Vermeiren nursing bed!

This nursing bed is made by qualified and committed personnel. It is designed and produced according to high quality standards guarded by Vermeiren.

Thanks for your trust in the products of Vermeiren. To support you on the use of this bed and its operating options, this manual is offered. Please read it carefully; it will help you to get familiar with the operation, capabilities and limitations of your bed.

If you still have questions after reading this manual, do not hesitate to contact your specialist dealer. He/she will be glad to help you on this subject.

Important note

To ensure your safety and to prolong the lifetime of your product, please take good care of it and have it checked and/serviced on regular base.

This manual reflects the latest product developments. Vermeiren has the right to implement changes to this type of product without being imposed to any obligation to adapt or replace similar products previously delivered.

Pictures are used to clarify the instructions in this manual. Details of the depicted product may deviate from your product.

Information available

On our website <http://www.vermeiren.com/> you will always find the most recent version of following information. Please consult this website regularly for possible updates.

Visually impaired people can download the electronic version of this manual and have it read out by means of a text-to-speech software application.



- This manual
For user and specialist dealer



- Installation manual (Instructions for assembly and disassembly)
For specialist dealer

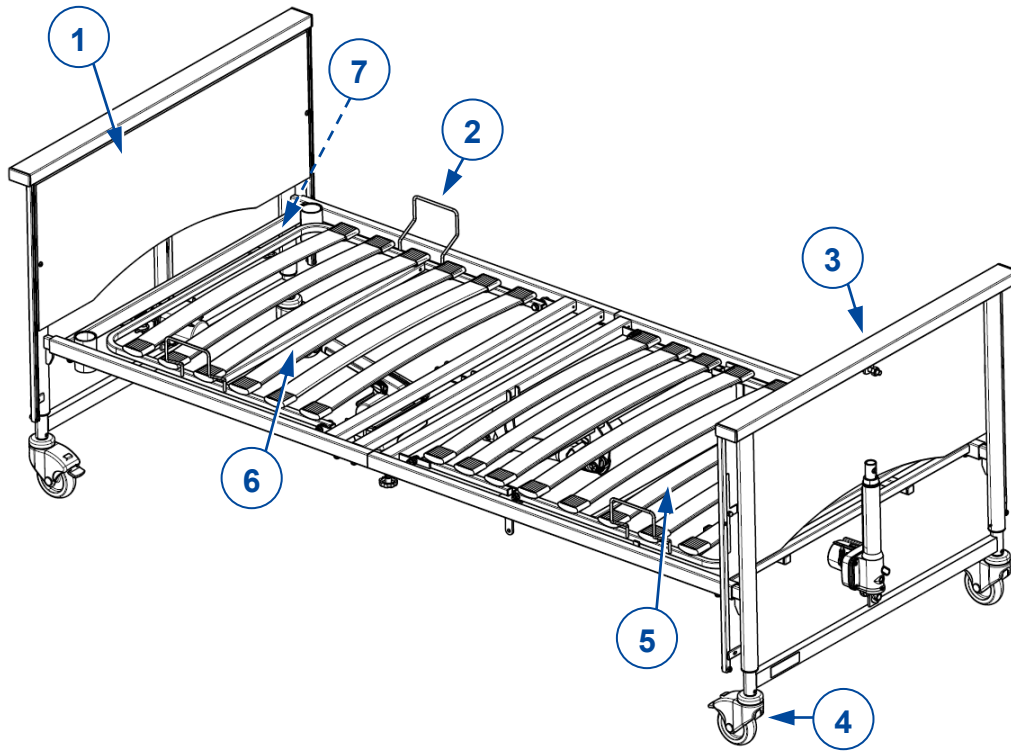


- Service manual (Beds)
For specialist dealer



- CE declaration of conformity
For user and specialist dealer

1 Your product



1. Head panel
2. Mattress retainer
3. Foot panel
4. Castor
5. Foot end
6. Head end
7. Identification plate

2 Before use

2.1 Intended Use

In this paragraph a brief description of the intended use of your nursing bed is given. Additionally, relevant warnings are added to the instructions in the other paragraphs. In this way we would like to make you aware of the possible misuse that may appear.

- This nursing bed is classified as a Class II electrical product and is suitable for indoor use only.
- This nursing bed is designed and produced solely as resting place, to support one (1) person with a maximum weight of 165 kg.
- The nursing bed is designed for home-care use according to IEC standard 60601-2-52, application environment 4.
- Only use a suitable mattress on this bed, see chapter 5.
- Only use accessories and spare parts approved by Vermeiren.
- The warranty of this product is based on normal use and maintenance as described in this manual. Damage to your product caused by improper use or lack of maintenance will cause the warranty to lapse.

2.2 General safety instructions

 **WARNING** Risk of injuries and damage

Do not make any modifications to the bed without the approval of the manufacturer.

 **CAUTION** Risk of injuries and/or damage

Follow the instructions in this manual and observe the safety directives. If not, you or bystanders may get injured, or your nursing bed may get damaged.

- Use the bed only on flat, level, solid floors with all four wheels touching the ground.
- When the patient is left unattended in the bed, leave the bed in the lowest possible position.
- Do not exceed the maximum load as stated in chapter 5.
- Do NOT use the bed as a means of transport, ladder, or storage for heavy or hot objects.
- The manufacturer is not liable for damage caused by the lack of or improper service, or as a result of not following instructions from this manual.
- Your bed has been tested on electromagnetic compability and complies to the standard. Despite this compability is it possible that the operation performance is influenced by electromagnetic fields like those of cell phones, power generators of high power energy sources.
- It is possible that the electronics of the bed influences other electronic devices. For this reason, it is advised to check your bed on damage or wear, see chapter 4.
- Do not add any mechanical or electrical devices to the bed.
- Make sure that during the operation of the bed, no objects or cables get entrapped between the moving parts of the bed. Make sure that the power supply cord does not get damaged by moving parts or sharp edges, or by being squished under the wheels.

In case a serious incident has occurred involving your product, notify Vermeiren or your specialist dealer as well as the competent authority in your country.

2.3 Symbols on the nursing bed

The symbols in following list are applicable for your nursing bed. Missing symbols can be found in the relevant ISO standard (ISO 7000, ISO 7001 and IEC 417).



Maximum weight of the user (in kg)



Maximum safe working load (in kg)



Maximum mattress thickness (in mm)



Mattress dimensions (in cm)



Type designation



Risk of entrapment

3 Using your bed

3.1 Assembling/disassembling, transport and storage

The bed will be assembled by your specialist dealer according to the instructions in the installation manual.

For transport, all parts are collected on a transport trolley. Attach the transport trolley and bed parts firmly to the vehicle, so they won't move during transport.

If not in use, store the bed at a dry location, see chapter 5 for the details.

3.2 Installation

 CAUTION Risk of injuries and damage

- Make sure that the bed is moved without any person in it.
 1. If not yet assembled, assemble the bed according to the instructions in the installation manual.
 2. If the bed is in use, make sure that all covers and sheets are within the side rails.
 3. Unplug the power cable from the socket and place the cable end on the bed.
 4. Release all brakes of the castor wheels, see §3.4.
 5. Roll the empty bed in place.
 6. When in position, apply the four brakes, see §3.4.
 7. Connect the power cable of the bed to the 220/230V AC power socket.

3.3 Using the handset

 CAUTION Risk of injuries

- To ensure safe operation of the bed, changing the operation mode using the key is ONLY allowed by authorised medical personnel.

The bed is delivered with a handset to operate the moveable parts of the bed. The handset has two operation modes: normal patient operation, and operation by authorized and trained medical staff. In the latter operation mode, the handset is only accessible by a key to be operated by trained medical personnel.

3.3.1 Use by the patient

- i** Some of the buttons might not respond when you press them. If this is the case, they are locked to be used only by medical staff according to your medical condition.

The following buttons can be used on the handset. Press and hold one of the buttons until the desired position is reached. To stop the movement, release the button.



Back section UP / DOWN



Leg section UP / DOWN



Mattress support UP / DOWN



Anti-trendelenburg

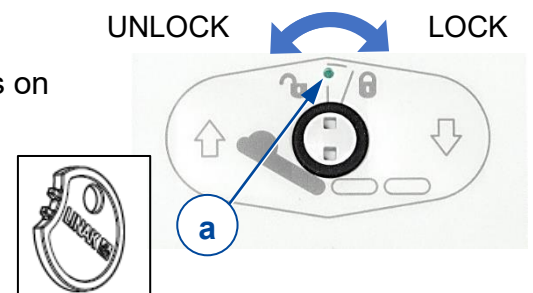
3.3.2 Lock function (for medical personnel only)

To prevent unintentional movements by the patient, buttons on the handset can be locked using a key.

To lock/unlock, the small dial between two buttons needs to be turned with help of the key.

Indicator (a) in the middle of the key turns

- green when the button is unlocked;
- yellow when the button is locked.



3.4 Operating the steering castors

CAUTION Risk of injuries

- All four steering castors must be locked before using the nursing bed. If only one brake is applied, the bed can still move.

i Good operation of the steering castors is influenced by wear and contamination of the castors (water, oil, ...). Check the condition of the castors before each use.

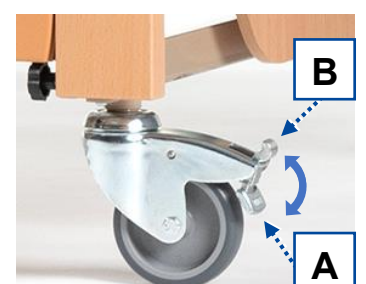
The brakes on all steering castors can be locked to prevent involuntary rolling.

Activating the brakes (A)

Push the surface of the tilting lever downwards by foot until it brakes the wheel.

Releasing (B)

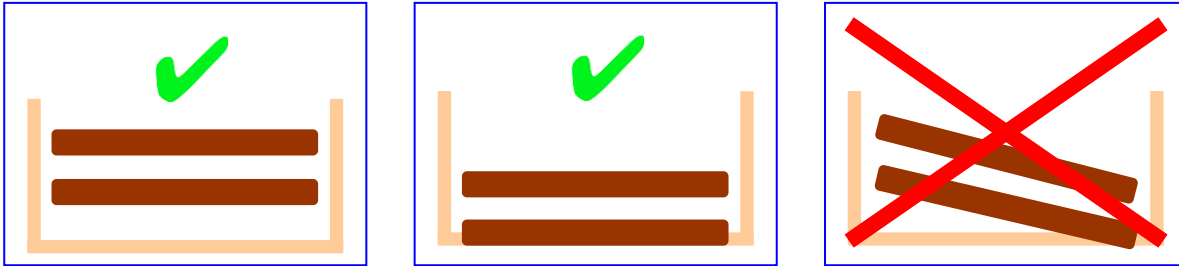
Push the surface of the tilting lever backwards by foot until the wheel is released.



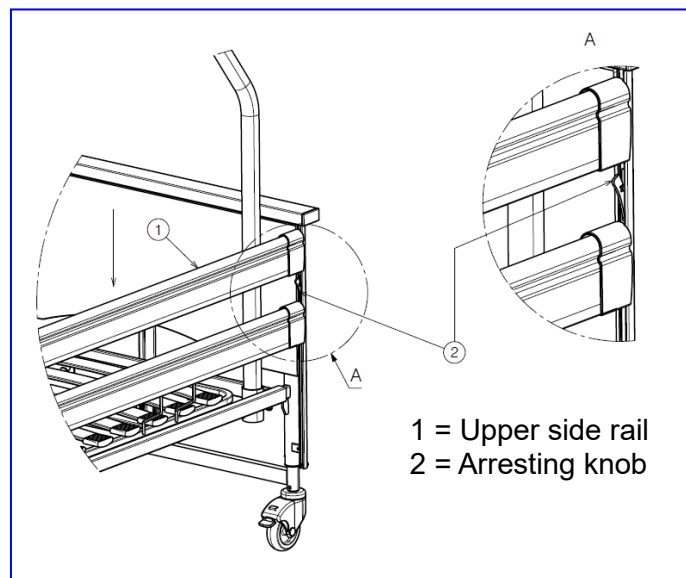
3.5 Operating side rails (optional)

3.5.1 Wooden side rails

Make sure that the bed's functions are not impaired when raising or lowering the side rails.

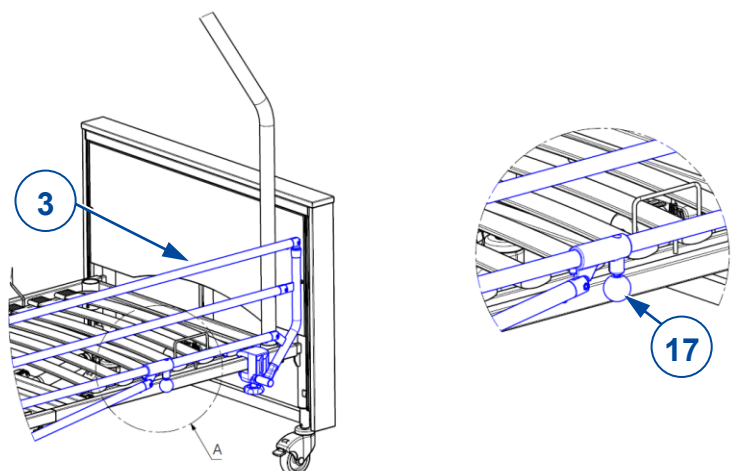


1. Raise the upper side slat gently.
2. Press and hold the arresting knob on the guide of the side rail and lower the side railing slowly. Always take hold of the upper wooden slat only.



3.5.2 Metal side rails (not for Club UL)

- Fold the side rail (3): pull the black, spherical knob (17) to unlock the side rail and fold the rail down.
- Unfold the side rail (3): pull the rail up until it is locked.



3.5.3 Split side rails (not for Club UL)

- Fold the side rail (4): pull the knob (20) to unlock the side rail and fold the rail down. If necessary, repeat for the second split side rail on the same side.
- Unfold the side rail (4): pull the rail up until it is locked.



3.6 Adjusting leg section manually (optional)



CAUTION

Risk of injury by entrapment or damage to the bed

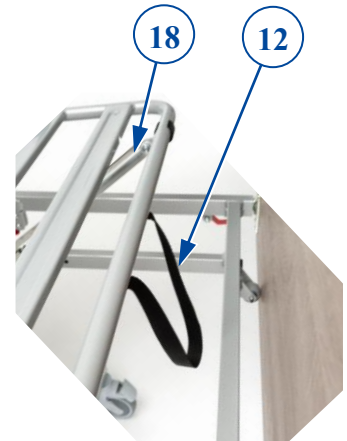
- Make sure that no bystanders or objects get trapped between the moving parts.
- Only use strap (12) at the foot end to adjust the height of the leg section.

Raising legs/feet

1. To adjust the height of feet and legs, grip the strap at the foot end of the bed.
2. Pull the strap up to raise the leg section of the mattress support to the desired height. When you stop pulling, the system stays locked at a notch of rastomat (18).

Lowering legs/feet

1. To lower, pull the strap to the highest position to unlock rastomat (18).
2. Hold the strap and move the leg section slowly down.



3.7 Moving to/from the bed



CAUTION

Risk of falling

- In case you cannot perform the transfer in a safe manner, ask someone to assist you.

Going to bed

1. Check whether the brakes of the castor wheels are applied, see §3.4.
2. Adjust the height of the bed with the handset, see §3.3.
3. Lower the side rail, see §3.5.
4. Position yourself as close as possible to the side of the bed.
5. Transfer to the bed. Use the lifting pole with trapeze handle to help move yourself on the bed.
6. Raise the side rail, see §3.5.

Getting up from the bed

1. Using the handset, adjust the bed to the easiest position for transfer out of the bed:
 - Lower the lower leg section, see §3.6 or §3.3.
 - Lower the side rail, see §3.5.
 - Adjust the height of the bed to a low position with the handset; see §3.3.
2. Turn yourself to sitting position with your legs outside the bed. Use the lifting pole with trapeze handle to help move yourself from the bed.



4 Maintenance

Your nursing bed requires minimum maintenance, but it is advisable to inspect the nursing bed regularly in order to keep it trouble-free for years.

4.1 Time of maintenance

CAUTION

Risk of injuries and damage

- Repairs and replacements may only be undertaken by trained persons and only genuine replacement parts of Vermeiren should be used.

- i** • The last page of this manual contains a registration form for the specialist dealer to record each service.
- The service frequency depends on the frequency and intensity of use. Contact your specialist dealer to agree to a common timetable for inspection/maintenance/repair.
- To find a service facility or specialist dealer near you, contact the nearest Vermeiren company division.

Once a year / for every new user

This nursing bed needs to be serviced and disinfected before passing on to a new user, but at least once a year. Contact your specialist dealer for more information.

Every month

Visually inspect the following points regularly:

- Keep your castor wheels free of wires, hair, sand and carpet fibres.
- Check the working of the brakes. If the bed can be moved while the brakes are applied, you should check wheels and brakes for wear, damage or contamination like oil, water...
- Handset, motors, connection points and cables: check for damage like electrical wires that are frayed, broken or that become exposed.
- Check if all parts are well secured.
- Check all parts for damage or wear. Contact your specialist dealer for possible repairs or part replacements.

Every week

Cleaning:

- Use a soft cloth or vacuum cleaner to remove dust.
- In case of dirt, empty the nursing bed and remove the mattress. Wipe all parts with a damp cloth (not drenched). If necessary, use a mild soap, suitable for varnishes and synthetics.

If stored

Make sure that the bed is stored dry to prevent mould or rust, see details in chapter 5.

4.2 Instructions for maintenance

4.2.1 Cleaning

CAUTION

Risk of damage by moisture

- Keep handset, motors and connection points clean and protect them from moisture.
- Keep the operating console clean and protect it from water and rain.
- Never use a hose or high-pressure cleaner to clean the bed.

Wipe all rigid parts of the bed with a damp cloth (not drenched). If necessary, use a mild soap, suitable for varnishes and synthetics.

The upholstery can be cleaned with lukewarm water and a mild soap. Do not use abrasive cleaning agents to clean.

4.2.2 Disinfection

CAUTION

Risk of damage

Disinfections may only be undertaken by trained persons. Consult your specialist dealer.

Use a soft, damp cloth and lukewarm water with a mild household disinfectant to clean the bed.

4.3 Troubleshooting

Even if you use your nursing bed properly, a technical problem may occur. In this case, contact your local specialist dealer.



CAUTION

Risk of injuries and damage to the nursing bed

- NEVER repair your nursing bed yourself attempting to solve the problem.

The following symptoms may indicate a problem. Therefore, always contact your specialist dealer if you spot any of the following deviations:

- Strange sound;
- Frayed/damaged power cables;
- Cracked or broken connectors;
- Jerky movements of frame sections;
- Damaged or broken castor wheels;
- Nursing bed is powered, but the handset does not work.

4.4 Expected lifespan

The average lifespan of your bed is 5 years. Depending on the frequency of use and maintenance, the lifespan of your bed will increase or decrease.

4.5 Reuse

Before each reuse, have the bed disinfected, inspected and serviced according to the instructions in §4.1 and §4.2.

4.6 End of use

At end of life, you need to dispose your nursing bed according to the local environmental legislation. The best way to do so, is to disassemble the nursing bed to facilitate the transport of recyclable parts.

5 Technical specifications

The technical details below are only valid for this nursing bed, at standard settings and optimal ambient conditions. Take these details into account during use.

The values are no longer applicable if your nursing bed has been modified, damaged or suffers from severe wear.

Make	Vermeiren
Type	Bed
Model	Club
Maximum occupant mass	165 kg

Description	Min.	Max.
Length	Club: 2125 mm Club VARIO, Club UL: 2175 mm	
Width	Club: 1005 mm Club VARIO, Club UL: 1037 mm	
Height (without lifting pole)	Club, Club VARIO: 834 - 1262 mm Club UL: 725 – 1135 mm	
Height (with lifting pole)	Club, Club VARIO: 1710 - 2120 mm Club UL: 1605 – 2015 mm	
Height adjustment of the bed surface (position 1)	Club: 350 mm (without mattress) Club VARIO: 335 mm (without mattress) Club UL: 215 mm	Club: 760 mm (without mattress) Club VARIO: 745 mm (without mattress) Club UL: 625 mm
Height adjustment of the bed surface (position 2)	Club VARIO: 400 mm (without mattress)	Club VARIO: 810 mm (without mattress)
Folded length	441 mm	
Folded width	1037 mm	
Folded height	1352 mm	
Total mass	Club: 60,8 kg Club VARIO: 62 kg Club UL: 73,5 kg	
Max. backrest adjustment	69°	
Max. thigh adjustment	20,7°	
Max. lower leg adjustment	-16,5°	
Anti-Trendelenburg angle	10,6°	
Max. backrest angle*	80,5°	
Max. thigh angle*	20,7°	
Max. lower leg angle*	-28,5°	
Max. safe load **	200 kg	
Lifting pole	Nominal load 80 kg	
Mattress	Min. RG 35, thickness 120 mm, 2000 x 900 mm, max. 20 kg	
Under clearance for patient lift	Club, Club Vario: 150 mm Club UL: 30 mm	
Steering casters (4 pieces)	Ø 100 mm, can be locked	
Front part of motor	LA24090405E001B4, Linak	
Back section motor	LA24050110G00134, Linak	

Leg section motor	LA24060060G001B4, Linak	
Handset	HLW074-029, Linak	
Transformer	CA2+06473N090A0, Linak	
Nominal voltage, transformer	U input: 230 V~, ± 10%, 50 Hz, current: max. 1.5 A, output voltage: 24V ---, 3,5 A	
Period switched on	10%, max. 2 min / 18min	
Noise level	< 65 dB(A)	
Class / Kind of protection	Protection class II, application part Type B / IPX4 (spray protection)	
Storage and use temperature	+ 5 °C	+ 41 °C
Storage and use humidity	30%	70%
<p>We reserve the right to introduce technical changes. Measurement tolerance ± 15 mm / 1,5 kg / 1,5°.</p> <p>* Measured according to IEC 60601-2-52, with a horizontal reference plane, possibly in combination with anti-Trendelenburg position</p> <p>** Max. safe working load = mass user weight + mass mattress + mass other accessories</p>		

Table 1: Technical specifications

Table des matières

Table des matières	1
Préface	2
1 Votre produit	3
2 Avant l'utilisation	4
2.1 Usage prévu.....	4
2.2 Instructions générales de sécurité.....	4
2.3 Symboles sur le lit médicalisé	5
3 Utilisation de votre lit médicalisé	6
3.1 Montage/démontage, transport et stockage	6
3.2 Installation	6
3.3 Utilisation de la télécommande	6
3.4 Actionnement des roues pivotantes	7
3.5 Fonctionnement des rails latéraux (en option)	8
3.6 Régler manuellement la section des jambes (en option).....	9
3.7 Se déplacer du/vers le lit.....	9
4 Entretien	10
4.1 Points d'entretien	10
4.2 Instructions d'entretien	11
4.3 Résolution des problèmes.....	11
4.4 Durée de vie attendue.....	11
4.5 Réutilisation	11
4.1 Mise au rebut	11
5 Spécifications techniques	12

Préface

Félicitations ! Vous êtes à présent l'heureux propriétaire d'un lit médicalisé Vermeiren !

Ce lit médicalisé a été fabriqué par du personnel qualifié et responsable. Il est conçu et produit conformément aux normes de qualité élevées appliquées par Vermeiren.

Merci de la confiance que vous accordez aux produits de Vermeiren. Ce manuel est destiné à vous aider dans l'utilisation de ce lit et de ses options de fonctionnement. Veuillez le lire attentivement. Vous pourrez ainsi vous familiariser avec le fonctionnement, les capacités et les limites de votre lit.

Si vous avez encore des questions après la lecture de ce manuel, n'hésitez pas à prendre contact avec votre revendeur spécialisé. Il vous aidera volontiers.

Remarque importante

Pour assurer votre sécurité et prolonger la durée de vie de votre produit, prenez-en grand soin et faites-le contrôler ou entretenir régulièrement.

Ce manuel est le reflet des derniers développements du produit. Vermeiren a le droit d'apporter des modifications à ce type de produit sans être tenu d'adapter ou de remplacer des produits similaires fournis précédemment.

Ce manuel est illustré avec des images pour clarifier les instructions. Les détails du produit représentés peuvent s'écarter de votre produit.

Informations disponibles

Sur notre site Internet <http://www.vermeiren.com/>, vous trouverez toujours la version la plus récente des informations suivantes. Veuillez consulter régulièrement ce site Internet pour d'éventuelles mises à jour.

Les personnes malvoyantes peuvent télécharger la version électronique de ce manuel et la lire au moyen d'une application de texte-parole.



- Ce manuel
Pour utilisateur et revendeur spécialisé



- Manuel d'installation (Instructions de montage et de démontage)
Pour le revendeur spécialisé

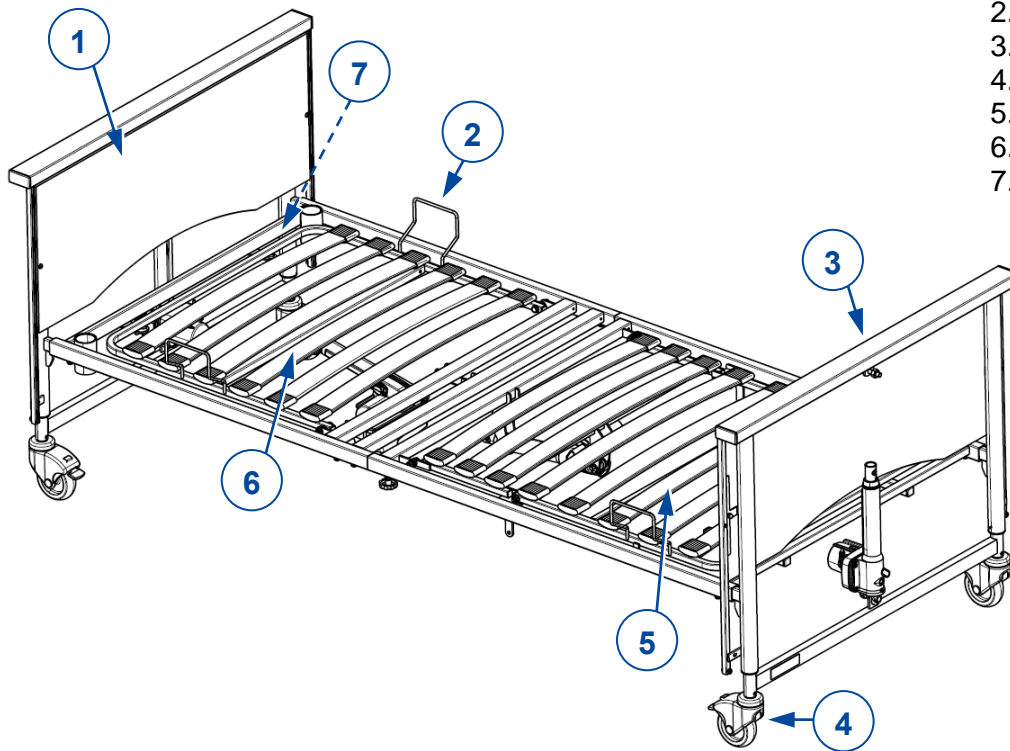


- Manuel de service (Des lits)
Pour le revendeur spécialisé



- Déclaration de conformité CE
Pour utilisateur et revendeur spécialisé

1 Votre produit



1. Panneau frontal
2. Retenue de matelas
3. Panneau arrière
4. Roues pivotantes
5. Appuie-pied
6. Appuie-tête
7. Plaque d'identification

2 Avant l'utilisation

2.1 Usage prévu

Ce paragraphe vous présente une brève description de l'usage prévu de votre lit médicalisé. Des avertissements pertinents ont également été ajoutés aux instructions dans les autres paragraphes. Nous aimerions ainsi attirer votre attention sur un usage inapproprié éventuel qui pourrait survenir.

- Ce lit médicalisé est considéré comme un produit électrique de classe II et convient uniquement à un usage à l'intérieur.
- Ce lit médicalisé est conçu et fabriqué uniquement comme un lieu de repos pour supporter une (1) personne d'un poids maximum de 165 kg.
- Le lit médicalisé est conçu pour une utilisation de soins à domicile conformément à la norme CEI 60601-2-52, environnement d'application 4.
- Utilisez uniquement un matelas approprié sur ce lit, cf. chapitre 5 pour les détails.
- Utilisez uniquement des accessoires et des pièces de rechange approuvés par Vermeiren.
- La garantie de ce produit est basée sur une utilisation et un entretien normaux, tels que décrits dans le présent manuel. Les dommages à votre produit dus à un usage inapproprié ou à un manque d'entretien auront pour effet d'annuler la garantie.

2.2 Instructions générales de sécurité

**AVERTISSEMENT**

Risque de blessures et/ou de dommages

N'apportez aucune modification au lit sans l'accord du fabricant.

**ATTENTION**

Risque de blessures et/ou de dommages

Suivez les instructions de ce manuel et respectez les consignes de sécurité. À défaut, vous ou les personnes aux alentours pouvez être blessés ou votre lit médicalisé peut être endommagé.

- Utilisez uniquement le lit sur des sols plats, à niveau, solides, les quatre roues touchant le sol.
- Lorsque le patient est laissé sans surveillance dans le lit, laissez le lit dans la position la plus basse possible.
- Ne dépassez jamais la charge maximale précisée au chapitre 5.
- N'utilisez PAS le lit comme moyen de transport, échelle ou rangement pour des objets lourds ou chauds.
- Le fabricant n'est pas responsable des dommages causés par l'absence d'entretien ou un entretien inapproprié, ou par le non-respect des instructions contenues dans ce manuel.
- La compatibilité électromagnétique de votre lit a été testée et votre lit est conforme à la norme. Malgré cette compatibilité, il est possible que la performance du fonctionnement soit influencée par des champs électromagnétiques comme ceux de téléphones portables ou de générateurs électriques de sources d'énergie haute puissance.
- Il est possible que l'électronique du lit influence d'autres appareils électroniques. C'est pourquoi il est recommandé de contrôler la présence éventuelle de dommages ou d'usure sur votre lit, cf. le chapitre 4.
- N'ajoutez pas de dispositifs mécaniques ou électriques au lit.
- Assurez-vous qu'aucun objet ou aucun câble ne reste coincé entre les parties mobiles du lit lors de son fonctionnement. Veillez à ce que le câble d'alimentation électrique ne soit pas endommagé par des pièces mobiles ou des arêtes vives, ou par le fait d'être écrasé sous les roues.

En cas d'incident grave impliquant votre produit, informez Vermeiren ou votre revendeur spécialisé ainsi que l'autorité compétente de votre pays.

2.3 Symboles sur le lit médicalisé

Les symboles de la liste suivante concernent votre lit médicalisé. Vous trouverez les symboles manquants dans les normes ISO correspondantes (ISO 7000, ISO 7001 et CEI 417).



Poids maximum de l'utilisateur (en kg)



Charge maximale d'utilisation (en kg)



Épaisseur maximale du matelas (en mm)



Dimensions du matelas (en cm)



Indication du type



Risque de coincement

3 Utilisation de votre lit médicalisé

3.1 Montage/démontage, transport et stockage

Le lit sera monté par votre revendeur spécialisé conformément aux instructions fournies dans le manuel d'installation.

Pour le transport, toutes les pièces sont réunies sur un chariot. Arrimez solidement le chariot et les pièces du lit au véhicule, afin qu'ils ne bougent pas pendant le transport.

S'il n'est pas utilisé, entreposez le lit dans un lieu sec, cf. chapitre 5 pour les détails.

3.2 Installation

ATTENTION

Risque de blessures et de dommages

- Assurez-vous que personne ne se trouve dans le lit lorsque vous le déplacez.
1. Si ce n'est pas encore fait, montez le lit conformément aux instructions fournies dans le manuel d'installation.
 2. Si le lit est utilisé, assurez-vous que toutes les couvertures et les draps se trouvent à l'intérieur des barrières latérales.
 3. Débranchez le câble d'alimentation de la prise et placez l'extrémité du cordon sur le lit.
 4. Desserrez tous les freins des roues pivotantes, cf. 3.4.
 5. Faites rouler le lit vide jusqu'à l'endroit désiré.
 6. Lorsqu'il est en position, actionnez les quatre freins, cf. 3.4.
 7. Branchez le câble d'alimentation du lit dans une prise de courant de 220 V/230 V CA.

3.3 Utilisation de la télécommande



ATTENTION

Risque de blessures

- Afin de veiller à ce que le lit soit utilisé en toute sécurité, SEUL le personnel médical autorisé a le droit de changer le mode de fonctionnement à l'aide du porte-clés.

Le lit est livré avec une télécommande pour faire fonctionner les pièces mobiles. La télécommande dispose de deux modes de fonctionnement : utilisation normale par le patient et utilisation par un personnel médical autorisé et formé. Dans ce dernier mode de fonctionnement, la télécommande n'est accessible qu'à l'aide d'un porte-clés qui doit être utilisé par un personnel médical formé.

3.3.1 Utilisation par le patient

- i** Certains boutons pourraient ne pas répondre lorsque vous les actionnez. Si tel est le cas, ils ont été verrouillés pour n'être actionnés que par le personnel médical en fonction de votre état de santé.

Les boutons suivants peuvent être utilisés sur la télécommande. Appuyez sur l'un des boutons et maintenez-le enfoncé jusqu'à ce que vous atteigniez la position désirée. Pour arrêter le mouvement, relâchez le bouton.



Montée/descente du relève-buste



Montée/descente des genoux



Montée/descente du support de matelas



Position anti-Trendelenburg

3.3.2 Fonction de verrouillage (pour le personnel médical uniquement)

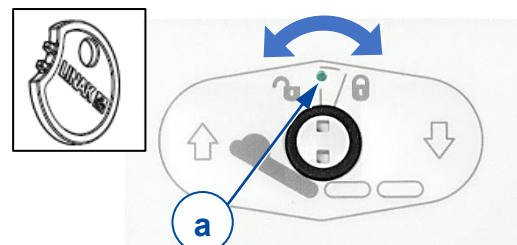
Pour éviter tout mouvement involontaire par le patient, les boutons de la télécommande peuvent être verrouillés à l'aide d'un porte-clés.

Pour verrouiller/déverrouiller, le petit sélecteur entre deux boutons doit être tourné à l'aide de la clé.

Témoin (a) de rotation au centre

- vert lorsque le bouton est déverrouillé ;
- jaune lorsque le bouton est verrouillé.

DÉVERROUILLAGE VERROUILLAGE



3.4 Actionnement des roues pivotantes

⚠ ATTENTION Risque de blessures

- Les quatre roues pivotantes doivent être verrouillées avant d'utiliser le lit médicalisé. Si un seul frein est serré, le lit peut encore bouger.

i Le bon fonctionnement des roues pivotantes est influencé par l'usure et la contamination des roues (eau, huile, ...). Vérifiez l'état des roues avant chaque utilisation.

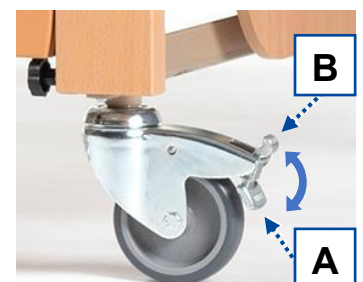
Les freins de toutes les roues pivotantes peuvent être bloqués pour éviter tout déplacement involontaire.

Blocage (A)

Enfoncer le levier basculant avec le pied jusqu'à butée.

Débloccage (B)

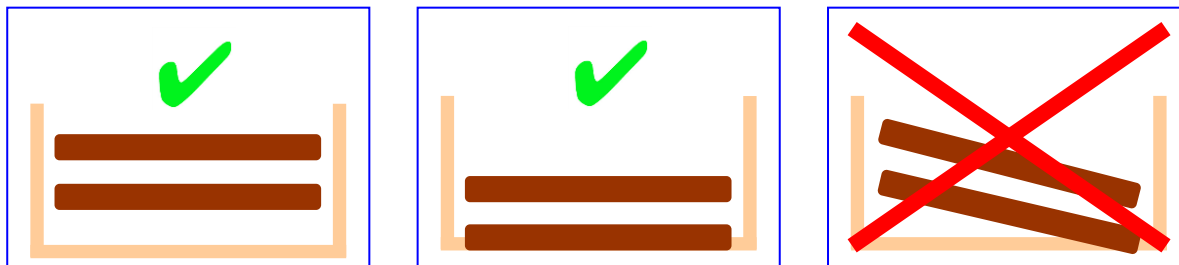
Relever le levier basculant avec le pied jusqu'à butée.



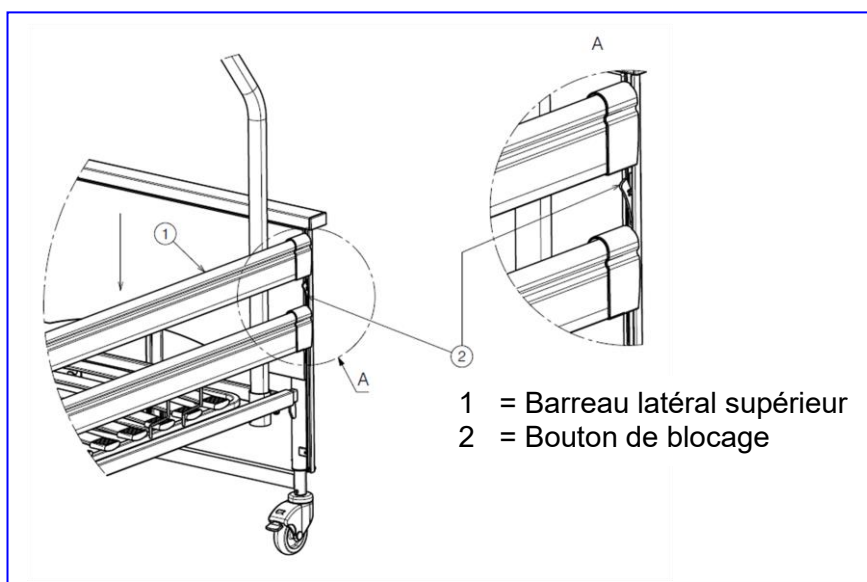
3.5 Fonctionnement des rails latéraux (en option)

3.5.1 Barrières latérales en bois

Assurez-vous que les fonctions du lit ne sont pas altérées lors du levage ou de l'abaissement des barrières latérales.

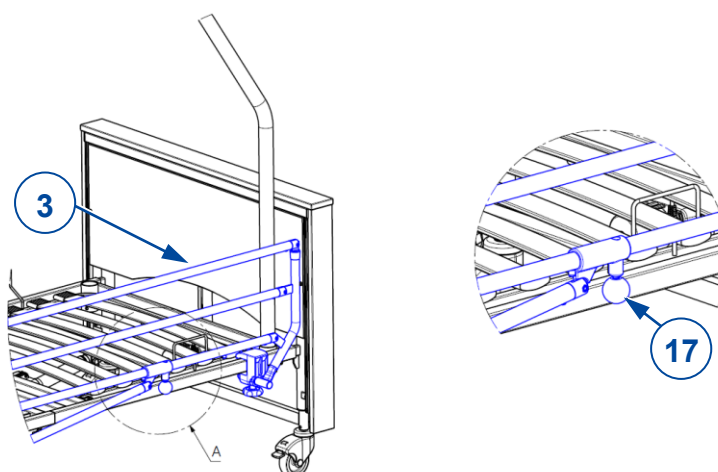


1. Lever légèrement le barreau latéral supérieur.
2. Enfoncer le bouton de blocage sur la tête/le pied latéral et abaisser lentement les barreaux latéraux. Saisissez uniquement le barreau en bois du dessus.



3.5.2 Barrières métals (pas pour le Club UL)

- Rabattez la barrière latérale (3) : tirez le bouton sphérique noir (17) pour déverrouiller la barrière latérale et rabattez cette dernière vers le bas.
- Déployer la barrière latérale (3) : tirez la barrière vers le haut jusqu'à ce qu'elle se verrouille.



3.5.3 Rails latéraux séparés (pas pour le Club UL)

1. Rabattez la barrière latérale (4): tirez sur le bouton (20) pour déverrouiller le rail latéral et le rabattre. Si nécessaire, répétez l'opération pour le deuxième rail latéral divisé du même côté.
2. Déployer la barrière latérale (4): tirez la barrière vers le haut jusqu'à ce qu'elle se verrouille.



3.6 Régler manuellement la section des jambes (en option)



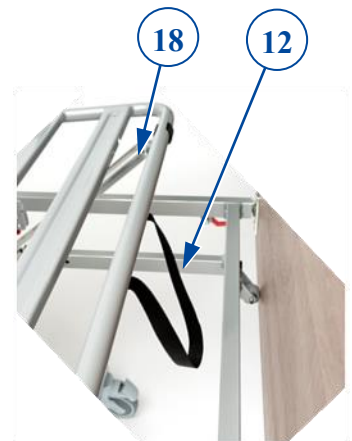
ATTENTION

Risque de blessure par coincement ou endommagement du lit

- Assurez-vous qu'aucune personne ou objet ne reste coincé entre les parties mobiles.
- Utilisez uniquement la sangle (12) au pied de lit pour régler la hauteur de la section des jambes.

Lever les jambes/pieds

1. Pour régler la hauteur des pieds et des jambes, saisissez la sangle au pied de lit.
2. Tirez la sangle vers le haut pour faire monter la section des jambes du support de matelas à la hauteur souhaitée. Lorsque vous cessez de tirer, le système reste verrouillé à une encoche de rastomat (18).



Abaissier les jambes/pieds

1. Pour abaisser, tirez la sangle à la position la plus élevée pour débloquer le rastomat (18).
2. Tenez la sangle et déplacez lentement la section des jambes vers le bas.

3.7 Se déplacer du/vers le lit



ATTENTION

Risque de chute

- Si vous ne pouvez pas réaliser le transfert de manière sûre, demandez à quelqu'un de vous aider.

Se coucher

1. Vérifiez si les freins des roues pivotantes sont serrés, cf. 3.4.
2. Réglez la hauteur du lit à l'aide de la télécommande, cf. 3.3.
3. Abaissez la barrière latérale, cf. 3.5.
4. Positionnez-vous le plus près possible du bord du lit.
5. Effectuez le transfert vers le lit. Utilisez la potence avec la poignée-trapèze pour vous aider à vous déplacer sur le lit.
6. Relevez la barrière latérale, cf. 3.5.

Se lever du lit

1. Réglez le lit à la position la plus facile pour le transfert en dehors du lit :
 - Abaissez la section inférieure des jambes, cf. 3.6 ou 3.3.
 - Abaissez la barrière latérale, cf. 3.5.
 - Réglez la hauteur du lit à une position basse à l'aide de la télécommande, cf. 3.3.
2. Tournez-vous en position assise, vos jambes à l'extérieur du lit. Utilisez la potence avec la poignée-trapèze pour vous aider à sortir du lit.

4 Entretien

Même s'il ne nécessite que peu d'entretien, il est recommandé d'inspecter régulièrement votre lit médicalisé pour garantir de longues années d'utilisation sans problème.

4.1 Points d'entretien

ATTENTION

Risque de dommages

- Les réparations et les remplacements ne peuvent être réalisés que par des personnes formées, et seules des pièces de remplacement d'origine de Vermeiren peuvent être utilisées.
- i**
 - La dernière page de ce manuel contient un formulaire d'enregistrement pour permettre au revendeur spécialisé de consigner chaque service.
 - La fréquence d'entretien dépend de la fréquence et de l'intensité de l'utilisation. Contactez votre spécialiste pour convenir d'un rendez-vous pour une inspection/entretien/réparation.
 - Adressez-vous à l'établissement Vermeiren le plus proche de chez vous pour trouver un point service ou un commerçant spécialisé dans votre région.

Une fois par an/pour chaque nouvel utilisateur

Ce lit médicalisé doit être entretenu et désinfecté avant d'être remis à un nouvel utilisateur, et au moins une fois par an. Contactez votre revendeur spécialisé pour de plus amples informations.

Une fois par mois

Inspectez visuellement les points suivants régulièrement :

- Éliminez les fils, cheveux, le sable et les fibres de carpe de vos roues pivotantes.
- Contrôlez le fonctionnement des freins. Si le lit peut être déplacé lorsque les freins sont serrés, il convient de contrôler si les roues et les freins ne présentent pas d'usure, d'endommagement ou de contamination comme de l'huile, de l'eau...
- Télécommande, moteurs, points de raccord et câbles : vérifiez la présence éventuelle d'un endommagement comme des câbles électriques entaillés, coupés ou dénudés.
- Vérifiez si toutes les pièces sont bien fixées.
- Contrôlez si les pièces ne présentent pas de dommages ou d'usure. Contactez votre revendeur spécialisé pour les réparations et les remplacements de pièces éventuels.

Une fois par semaine

Nettoyage :

- Utilisez un chiffon doux ou un aspirateur pour enlever la poussière.
- En cas de saleté, videz le lit médicalisé et retirez le matelas. Essuyez toutes les pièces à l'aide d'un chiffon humide (pas détrempe). Si nécessaire, utilisez un savon doux, approprié pour les laques et les synthétiques.

En cas d'entreposage

Assurez-vous que le lit est entreposé au sec afin d'éviter la moisissure ou la rouille, cf. détails au chapitre 5.

4.2 Instructions d'entretien

4.2.1 Nettoyage

ATTENTION

Risque de dommages dus à l'humidité

- Nettoyez régulièrement la télécommande, les moteurs et les points de raccord et protégez-les de l'humidité.
- Gardez la console de commande propre et protégez-la de l'eau et de la pluie.
- N'utilisez jamais un tuyau ou un nettoyeur à haute pression pour nettoyer le lit.

Essuyez toutes les parties rigides du lit avec un chiffon humide (pas détrempé). Si nécessaire, utilisez un savon doux, approprié pour les laques et les synthétiques.

Le rembourrage peut être nettoyé à l'eau tiède additionnée de savon doux. N'utilisez pas de produits de nettoyage abrasifs.

4.2.2 Désinfection

ATTENTION

Risque de dommages

La désinfection ne peut être réalisée que par des personnes qualifiées. Renseignez-vous auprès de votre revendeur spécialisé à cet égard.

Utilisez un chiffon doux et humide et de l'eau tiède avec un désinfectant ménager doux pour nettoyer le lit.

4.3 Résolution des problèmes

Même si vous utilisez votre lit médicalisé de façon appropriée, un problème technique n'est pas exclu. Dans ce cas, contactez votre local revendeur spécialisé.



ATTENTION

Risque de blessures et de dommages au lit médicalisé

- Ne réparez JAMAIS votre lit médicalisé vous-même pour tenter de résoudre le problème.

Les symptômes suivants peuvent indiquer un problème. Aussi, contactez toujours votre revendeur spécialisé si vous détectez l'une des anomalies suivantes :

- Bruit anormal ;
- Câbles d'alimentation entaillés/endommagés ;
- Connecteurs fissurés ou cassés ;
- Mouvements brusques de parties de cadre ;
- Roues pivotantes endommagées ou cassées ;
- Le lit médicalisé est sous tension, mais la télécommande ne fonctionne pas.

4.4 Durée de vie attendue

La durée de vie moyenne de votre lit est de 5 ans. Selon la fréquence d'utilisation et d'entretien, la durée de vie de votre fauteuil roulant augmentera ou diminuera.

4.5 Réutilisation

Avant chaque réutilisation, faites désinfecter, inspecter et entretenir le lit conformément aux instructions du §4.1 et du §4.2.

4.1 Mise au rebut

À la fin de sa durée de vie, votre lit médicalisé doit être évacué conformément à la législation environnementale locale. Il est recommandé de démonter le lit médicalisé afin de faciliter le transport des matériaux recyclables.

5 Spécifications techniques

Les détails techniques ci-dessous concernent uniquement ce lit médicalisé, pour les réglages standard et les conditions ambiantes optimales. Tenez compte de ces détails pendant l'utilisation.

Les valeurs ne sont plus valables si votre lit médicalisé a été modifié, endommagé ou présente une usure importante.

Marque	Vermeiren
Type	Lit
Modèle	Club
Poids max. du patient	165 kg

Description	Min.	Max.
Longueur	Club: 2125 mm Club VARIO, Club UL: 2175 mm	
Largeur	Club: 1005 mm Club VARIO, Club UL: 1037 mm	
Hauteur (sans potence de levage)	Club, Club VARIO: 834 - 1262 mm Club UL: 725 – 1135 mm	
Hauteur (avec potence de levage)	Club, Club VARIO: 1710 - 2120 mm Club UL: 1605 – 2015 mm	
Surface de couchage réglable en hauteur (position 1)	Club: 350 mm (sans matelas) Club VARIO: 335 mm (sans matelas) Club UL: 215 mm	Club: 760 mm (sans matelas) Club VARIO: 745 mm (sans matelas) Club UL: 625 mm
Surface de couchage réglable en hauteur (position 2)	Club VARIO: 400 mm (sans matelas)	Club VARIO: 810 mm (sans matelas)
Longueur pliée	441 mm	
Largeur pliée	1037 mm	
Hauteur plié	1352 mm	
Masse totale	Club: 60,8 kg Club VARIO: 62 kg Club UL: 73,5 kg	
Réglage max. du dossier	69°	
Réglage max. de la cuisse	20,7°	
Réglage max. de la jambe	-16,5°	
Angle anti-Trendelenburg	10,6°	
Angle max. du dossier *	80,5°	
Angle max. de la cuisse *	20,7°	
Angle max. de la jambe *	-28,5°	
Charge utile sûre max. **	200 kg	
Potence de levage	Charge nominale 80 kg	
Matelas	min. RG 35, 120 mm d'épaisseur, 2000 x 900 mm, max. 20 kg	
Hauteur libre pour le lève-personnes	Club, Club Vario: 150 mm Club UL: 30 mm	
Roulettes (4 pièces)	Ø 100 mm, blocables	
Moteur panneaux	LA24090405E001B4, Linak	
Moteur appuie-tête	LA24050110G00134, Linak	
Moteur zone jambes	LA24060060G001B4, Linak	

Télécommande	HLW074-029, Linak	
Transformateur	CA2+06473N090A0, Linak	
Tension nominale du transformateur	U entrée: 230 V~, ± 10%, 50 Hz, courant: max. 1,5 A, U out: 24V ---, max. 3,5 A	
Temps de fonctionnement	10%, max. 2 min / 18min	
Niveau acoustique	< 65 dB (A)	
Classe de protection/degré de protection	Classe de protection II, partie d'application type B / IPX4 (protégé contre les projections d'eau)	
Température de stockage et d'utilisation	+ 5 °C	+ 41 °C
Humidité de stockage et d'utilisation	30%	70%
<p>Nous nous réservons le droit d'apporter des modifications techniques. Tolérance de mesures ± 15 mm / 1,5 kg / 1,5°.</p> <p>* Mesuré selon la norme IEC 60601-2-52, avec un plan de référence horizontal, éventuellement en combinaison avec la position anti-Trendelenburg.</p> <p>** Charge max. d'utilisation = poids de l'utilisateur + poids du matelas + poids des autres accessoires</p>		

Tableau 1 : Spécifications techniques

Inhoudsopgave

Inhoudsopgave	1
Voorwoord	2
1 Uw product	3
2 Voor gebruik	4
2.1 Bedoeld gebruik	4
2.2 Algemene veiligheidsmaatregelen	4
2.3 Symbolen op het verpleegbed aanwezig	5
3 Uw verpleegbed gebruiken	6
3.1 Montage/demontage, transport en opbergen	6
3.2 Installatie	6
3.3 De handset gebruiken	6
3.4 De zwenkwielen bedienen	7
3.5 De onrusthekken bedienen (optioneel)	8
3.6 Beengedeelte handmatig instellen (optioneel)	9
3.7 Transfer in/uit het bed	9
4 Onderhoud	10
4.1 Tijdstippen voor onderhoud	10
4.2 Instructies voor onderhoud	10
4.3 Problemen oplossen	11
4.4 Verwachte levensduur	11
4.5 Hergebruik	11
4.6 Einde gebruik	11
5 Technische specificaties	12

Gefeliciteerd! U bent nu eigenaar van een Vermeiren verpleegbed!

Dit verpleegbed is gemaakt door gekwalificeerd en toegewijd personeel. Het is ontworpen en geproduceerd volgens hoge kwaliteitsnormen, toegepast onder toezicht van Vermeiren.

We danken u voor uw vertrouwen in de producten van Vermeiren. Deze handleiding wordt u aangeboden om u te helpen bij het gebruik en de bedieningsmogelijkheden van uw verpleegbed. We vragen u met nadruk deze handleiding aandachtig te lezen. Op die manier raakt u vertrouwd met de bediening, de mogelijkheden en beperkingen van uw bed.

Als u, na het lezen van deze handleiding, toch nog vragen heeft, aarzel dan niet om uw vakhandelaar te contacteren. Hij/Zij zal u graag helpen met uw vraag.

Belangrijke opmerking

Om uw veiligheid te garanderen en om de levensduur van uw product te verlengen, raden we u aan om goed zorg te dragen voor uw product en om het regelmatig te (laten) inspecteren en onderhouden.

Deze handleiding weerspiegelt de laatste productontwikkelingen. Vermeiren heeft het recht om wijzigingen aan dit type product aan te brengen zonder de opgelegde verplichting om vergelijkbare producten, die voordien geleverd werden, aan te passen of te vervangen.

De afbeeldingen in deze handleiding dienen om de instructies te verduidelijken. De productdetails in de afbeeldingen kunnen afwijken ten opzichte van uw product.

Beschikbare informatie

Op onze website <http://www.vermeiren.com/> kunt u altijd terecht voor de meest recente versie van onderstaande informatie. Raadpleeg deze website a.u.b. regelmatig voor eventuele bijgewerkte versies.

Personen met een visuele beperking kunnen de elektronische versie van de handleiding downloaden en met behulp van een tekst-naar-spraak softwareapplicatie laten voorlezen.



- Deze gebruiksaanwijzing
Voor gebruiker en vakhandelaar



- Installatiehandleiding (Instructies voor montage & demontage)
Voor de vakhandelaar



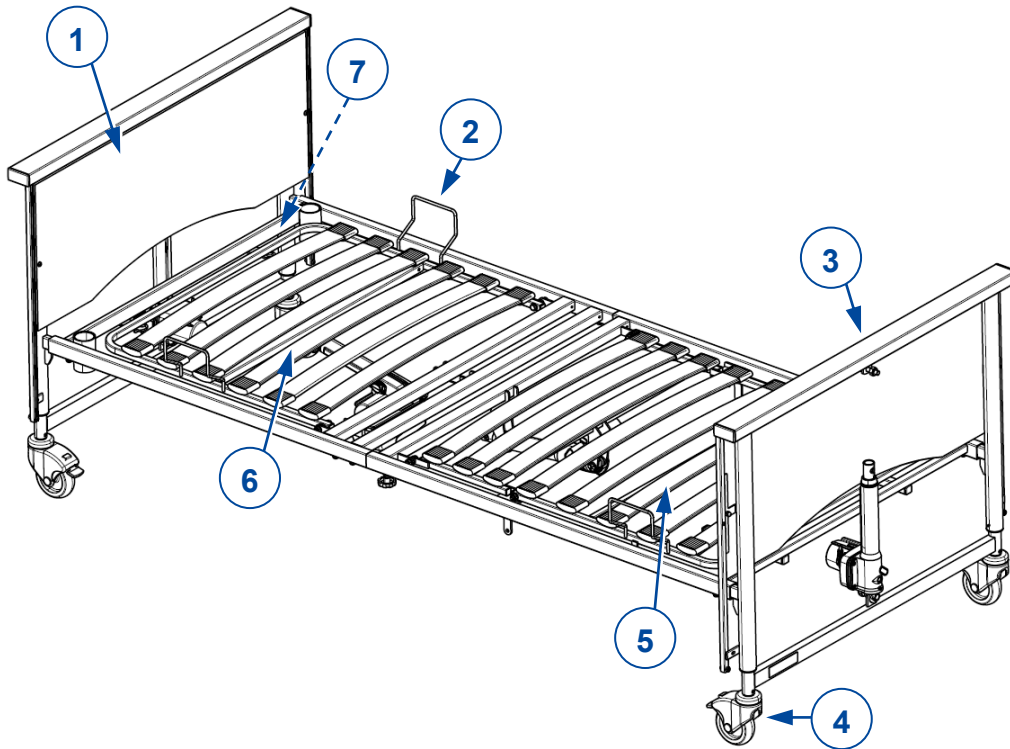
- Servicehandleiding (bedden)
Voor de vakhandelaar



- De CE-verklaring van overeenstemming
Voor gebruiker en vakhandelaar

1 Uw product

1. Hoofdbord
2. Matrashouder
3. Voetbord
4. Zwenkwiel
5. Voeteinde
6. Hoofdeinde
7. Identificatieplaat



2 Voor gebruik

2.1 Bedoeld gebruik

Deze paragraaf beschrijft in kort het bedoeld gebruik van uw verpleegbed. Bij de instructies in de overige paragrafen zijn de nodige waarschuwingen opgenomen die dit aanvullen. Op deze manier willen we u bewust maken van het mogelijke misbruik dat kan optreden.

- Dit verpleegbed is geclassificeerd als elektrisch product van Klasse II en is enkel geschikt voor gebruik binnenshuis.
- Dit verpleegbed is uitsluitend ontworpen en gemaakt als rustplaats, voor het dragen van één (1) persoon, met een maximaal gewicht van 165 kg.
- Dit verpleegbed is ontworpen voor gebruik in de thuiszorg volgens de IEC-norm 60601-2-52.
- Gebruik voor dit verpleegbed een aangepast matras; zie hoofdstuk 5 voor de details.
- Gebruik enkel de accessoires en reserveonderdelen die door Vermeiren goedgekeurd zijn.
- De garantie van dit product is gebaseerd op normaal gebruik en onderhoud zoals beschreven in deze handleiding. Bij schade aan uw product, ten gevolge van oneigenlijk gebruik of gebrek aan onderhoud, zal de garantie vervallen.

2.2 Algemene veiligheidsmaatregelen



WAARSCHUWING Gevaar voor letsel en/of beschadiging

Breng geen wijzigingen aan het bed aan zonder toestemming van de fabrikant.



VOORZICHTIG Gevaar voor letsel en/of beschadiging

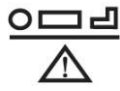





Volg de instructies in deze handleiding en volg de veiligheidsrichtlijnen. Zo niet, kan dit leiden tot lichamelijk letsel bij uzelf of omstaanders, of beschadiging aan uw verzorgingsbed.

- Gebruik het bed enkel op vlakke, vaste vloeren waarbij alle vier de wielen de grond raken.
- Wanneer de patiënt zonder toezicht in het bed wordt gelaten, laat u het bed in de laagst mogelijke stand staan.
- Overschrijd het maximum gewicht niet zoals vastgelegd in hoofdstuk 5.
- Gebruik het bed NIET als vorm van transport, ladder, of opslag voor zware of hete objecten.
- De fabrikant is niet verantwoordelijk voor schade veroorzaakt door foutief onderhoud, of door het niet volgen van de instructies in deze handleiding.
- Uw bed werd getest op elektromagnetische compatibiliteit en voldoet aan de standaard. Toch kunnen elektromagnetische velden de gebruiksprestatie van uw bed beïnvloeden, bijvoorbeeld bij gsm's, stroomgeneratoren of energiebronnen met hoog vermogen.
- Het is ook mogelijk dat de elektronica van het bed andere elektrische apparaten beïnvloedt. We raden daarom aan uw bed regelmatig te checken op schade of slijtage, zie hoofdstuk 4.
- Voeg geen andere elektronische apparaten toe aan het bed.
- Zorg ervoor dat er geen objecten of kabels gekneld raken tussen bewegende onderdelen tijdens het bedienen van het bed. Zorg ervoor dat het netsnoer niet beschadigd raakt door bewegende delen of scherpe randen, of door onder de wielen te worden gekneld.

Indien zich een ernstig incident heeft voorgedaan met uw product, breng dan Vermeiren of uw gespecialiseerde dealer op de hoogte, evenals de bevoegde autoriteit in uw land.

2.3 Symbolen op het verpleegbed aanwezig

De symbolen in volgende lijst zijn van toepassing voor uw verpleegbed. Symbolen die hier niet vermeld staan kunnen teruggevonden worden in de betreffende ISO-norm (ISO 7000, ISO 7001 en IEC 417).

	Maximaal gewicht van gebruiker (in kg)
	Maximaal veilig draagvermogen (in kg)
	Maximale matrasdikte (in mm)
	Matrasafmetingen (in cm)
	Type aanduiding
	Beknellingsgevaar

3 Uw verpleegbed gebruiken

3.1 Montage/demontage, transport en opbergen

Het bed wordt door uw vakhandelaar gemonteerd volgens de instructies in de installatiehandleiding.

Om te transporteren worden alle onderdelen op een transportwagen verzameld. Maak deze transportwagen en alle bedonderdelen goed aan het voertuig vast zodat deze niet kunnen verplaatsen tijdens het transport.

Als het bed niet in gebruik is, bergt u het bed best in een droge plaats op, zie hoofdstuk 5 voor meer informatie.

3.2 Installatie

VOORZICHTIG

Gevaar voor letsel of beschadiging

- Verplaats het bed enkel zonder personen erin.
 1. Indien het bed nog niet gemonteerd werd, monteer dan het bed volgens de instructies in de installatiehandleiding.
 2. Indien het bed gebruikt wordt, zorg er dan voor dat alle hoezen en lakens zich binnen de onrusthekken bevinden.
 3. Verwijder de voedingskabel uit het stopcontact en plaats het kabeleinde op het bed.
 4. Zet de remmen van alle zwenkwielen los.
 5. Rol het lege bed op de gewenste plaats.
 6. Wanneer het bed in positie staat, zet de vier remmen weer vast, zie 3.4.
 7. Verbind de voedingskabel van het bed met een 230V AC stopcontact.

3.3 De handset gebruiken

**VOORZICHTIG**

Gevaar voor letsel

- Het wijzigen van de bedieningsmodus met de sleutelhanger mag ENKEL door geautoriseerd medisch personeel gebeuren. Hierdoor wordt de veilige bediening van het bed verzekerd.

Het bed wordt geleverd met een handset voor het bedienen van de beweegbare delen. De handset heeft twee bedieningsmodussen: de normale patiëntbediening, en de bediening door een geautoriseerd, opgeleid, medisch personeelslid. Bij deze laatste bedieningsmodus is de handset enkel toegankelijk met behulp van een sleutelhanger, die bediend kan worden door opgeleid medisch personeel.

3.3.1 Gebruik door de patiënt

- i** Het is mogelijk dat sommige knoppen niet reageren wanneer u erop drukt. Dit is omdat ze door het medisch personeel in overeenstemming met uw medische conditie geblokkeerd werden.

Volgende knoppen zitten op de handbediening. Druk op één van de knoppen en houd deze ingedrukt totdat de gewenste positie bereikt is. Om de beweging te stoppen, laat u de knop gewoon los.



Ruggedeelte OMHOOG/OMLAAG



Voetgedeelte OMHOOG/OMLAAG



Matrasondersteuning OMHOOG/OMLAAG



Anti-trendelenburg

3.3.2 Vergrendelfunctie (enkel voor medisch personeel)

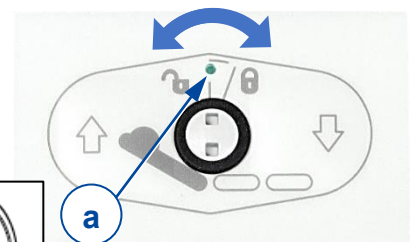
Om onbedoelde bewegingen van de patiënt te voorkomen, kunnen de bedieningsknoppen met behulp van de sleutelhanger vergrendeld worden.

Om te vergrendelen/ontgrendelen, dient het draaiknopje tussen twee knoppen gedraaid te worden met behulp van de sleutelhanger.

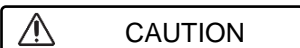
Indicator (a) in het midden van de sleutel wordt

- groen als de knop ontgrendeld is;
- geel als de knop vergrendeld is.

ONTGRENDELEN VERGRENDELEN



3.4 De zwenkwielen bedienen



Gevaar voor letsel

- Alle vier de zwenkwielen moeten vergrendeld zijn vooraleer het bed te gebruiken. Indien slechts één rem wordt vastgezet, kan het bed nog steeds bewegen.

i De werking van de zwenkwielen wordt beïnvloed door slijtage en vervuiling van de wielen (water, olie, ...) Controleer voor elk gebruik de staat van de wielen.

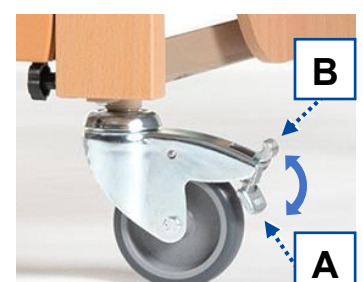
Om ongewenste verplaatsingen te vermijden, kunnen alle zwenkwielen worden geblokkeerd.

Blokkeren (A)

Vlak van de hendel met de voet naar beneden drukken tot het wiel wordt geremd.

Loszetten (B)

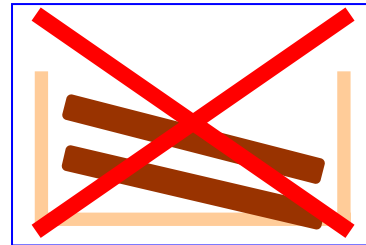
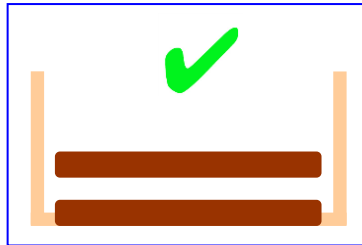
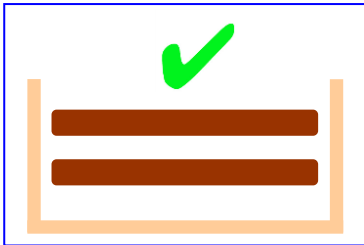
Vlak van de hendel met de voet naar omhoog duwen tot het wiel wordt los gezet.



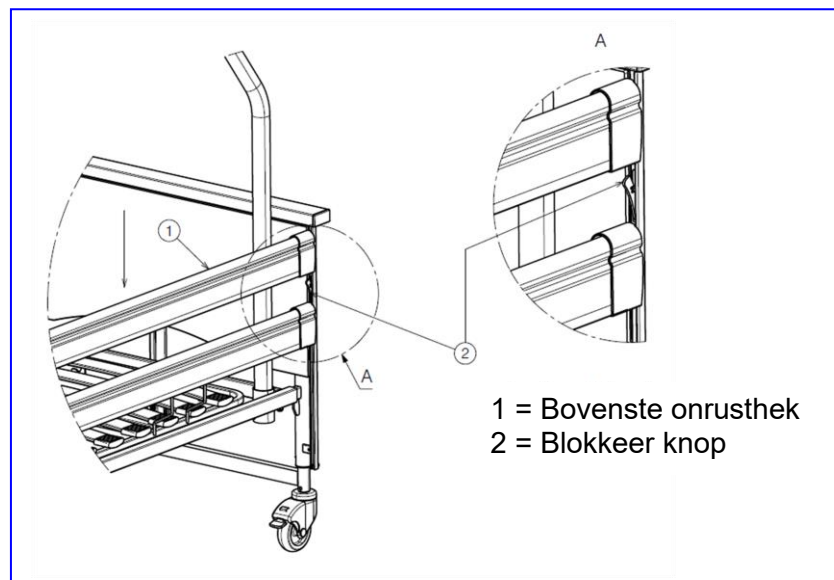
3.5 De onrusthekken bedienen (optioneel)

3.5.1 Houten onrusthekken

Zorg ervoor dat de bedfuncties niet gehinderd worden bij het naar boven of beneden laten van de onrusthekken.

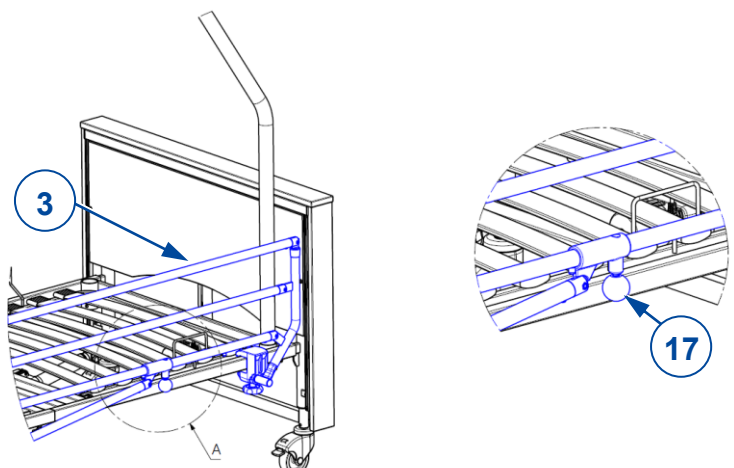


1. Bovenste onrusthek lichtjes optillen.
2. Blokkeer knop op de geleiding van de zijsponden indrukken, ingedrukt houden en het onrusthek langzaam neerlaten. Houd altijd alleen de bovenste houten lat vast.



3.5.2 Metalen onrusthekken (niet voor Club UL)

- Vouw het onrusthek (3): trek aan de zwarte, ronde knop (17) om het hek te ontgrendelen en vouw het hek neer.
- Plooi het onrusthek (3) op: Trek het hek omhoog tot het geblokkeerd zit.



3.5.3 Gedeelde onrusthekken (niet voor Club UL)

- Vouw het onrusthek (4): Trek aan de knop (20) om het onrusthek te ontgrendelen en naar beneden te vouwen. Indien nodig, herhaal dit voor de andere helft van het onrusthek aan dezelfde kant.
- Plooi het onrusthek (4) op: Trek het hek omhoog tot het geblokkeerd zit.



3.6 Beengedeelte handmatig instellen (optioneel)



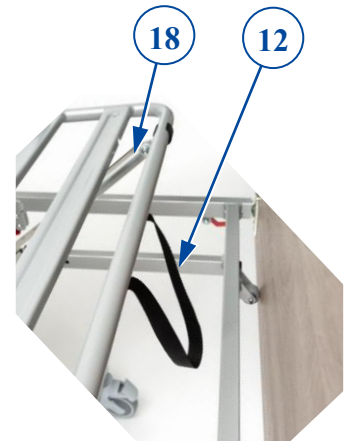
VOORZICHTIG

Kans op letsel door beknelling of schade aan het bed

- Let erop dat er geen omstanders of objecten tussen de bewegende onderdelen bekneld raken.
- Gebruik de band aan het voeteinde enkel om de hoogte van het beengedeelte aan te passen.

Benen/voeten omhoog brengen

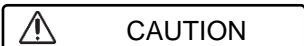
1. Om de hoogte van de voeten en knieën in te stellen, neemt u de band (12) vast.
2. Trek de band omhoog om het beengedeelte van de matrasondersteuning naar de gewenste hoogte te brengen. Zodra u stopt met trekken zal het systeem blokkeren in een uitsparing van de telescoopverstelling (18).



Benen/voeten omlaag brengen

1. Om terug naar te laten, trek de band naar het hoogste punt om de telescoopverstelling (18) te ontgrendelen.
2. Blijf de band vasthouden en breng het beengedeelte langzaam naar beneden.

3.7 Transfer in/uit het bed



CAUTION

Kans op vallen

- Als u de transfer niet op een veilige manier kan uitvoeren, vraag dan hulp.

Naar bed gaan

1. Controleer of de remmen van het bed zijn ingeschakeld, zie 3.4.
2. Pas de hoogte van het bed aan met de handset, zie 3.3.
3. Laat het onrusthek zakken, zie 3.5.
4. Ga zo dicht mogelijk bij de rand van het bed staan.
5. Transfer naar het bed. Gebruik de zelfoprichter als hulp om uzelf op het bed te verplaatsen.
6. Verhoog het onrusthek, zie 3.5.

Opstaan uit het bed:

1. Plaats het bed in de beste positie voor transfer uit het bed:
 - Verlaag de beensectie, zie 3.6 of 3.3.
 - Laat het onrusthek zakken, zie 3.5.
 - Pas de hoogte van het bed aan naar een lage positie met de handset, zie 3.3.
2. Draai uzelf in zittende positie met uw benen buiten het bed. Gebruik de zelfoprichter met triangel als hulp om uzelf uit het bed te verplaatsen.

4 Onderhoud

Uw verzorgingsbed heeft slechts minimaal onderhoud nodig, maar we raden aan om het bed regelmatig na te kijken voor jarenlang probleemloos gebruik.

4.1 Tijdstippen voor onderhoud

VOORZICHTIG Kan op schade

- Onderhoud en reparaties mogen enkel worden uitgevoerd door getraind personeel, en enkel originele onderdelen van Vermeiren mogen hierbij gebruikt worden.
- i**
 - Op de laatste pagina van deze handleiding staat de service-registratielijst waarop de vakhandelaar de servicebeurt kan noteren.
 - De onderhoudsfrequentie hangt af van de frequentie en intensiteit van gebruik. Neem contact op met uw vakhandelaar om het tijdstip voor inspectie/onderhoud/reparatie af te spreken.
 - Contacteer het dichtstbijzijnde Vermeiren bedrijfs onderdeel om een servicepunt of vakhandelaar in uw buurt te vinden.

Jaarlijks of bij elke nieuwe gebruiker

Iedere keer, voordat het verpleegbed naar een volgende gebruiker gaat, maar zeker eenmaal per jaar dient het bed onderhouden en gedesinfecteerd te worden.

Maandelijks

Inspecteer regelmatig volgende punten visueel:

- Hou de zwenkwielen vrij van draden, haar, zand en tapijtvezels.
- Verifieer de werking van de remmen. Als het bed verplaatst kan worden terwijl de remmen op staan, dient u de wielen en remmen te controleren op slijtage, schade of vervuiling zoals olie, water, ...
- Handset, motoren en aansluitpunten: controleer op beschadigingen zoals elektrische draden die rafelig of gebroken zijn, of blootliggen.
- Verifieer of alle onderdelen goed vastzitten.
- Controleer alle onderdelen op slijtage en beschadigingen. Neem contact op met uw vakhandelaar voor eventuele reparaties of vervanging van onderdelen.

Wekelijks

Reinigen:

- Gebruik een zachte doek of stofzuiger om stof te verwijderen.
- In geval van vervuiling, maak het verpleegbed leeg en verwijder de matras. Veeg alle onderdelen schoon met een vochtige doek (niet doorweekt). Indien nodig, gebruik een zachte zeep die geschikt is voor lakken en synthetische materialen.

Bij opbergen

Zorg dat het bed droog opgeborgen wordt om schimmel en roest te voorkomen, zie ook de informatie in hoofdstuk 5.

4.2 Instructies voor onderhoud

4.2.1 Schoonmaak

WAARSCHUWING Gevaar voor beschadiging door vocht

- Houd de handset, motors en aansluitingspunten proper en bescherm ze tegen vocht.
- Houd de besturing schoon en bescherm ze tegen water en regen.
- Gebruik nooit een tuinslang of hogedrukreiniger om het bed schoon te maken.

Veeg alle harde onderdelen van het bed schoon met een vochtig doek (niet doorweekt). Indien nodig, gebruik een milde zeep die geschikt is voor vernis en synthetische materialen. De bekleding kan schoon worden gemaakt met lauw water en een milde zeep. Gebruik geen agressieve schoonmaakmiddelen.

4.2.2 Ontsmetting

VOORZICHTIG Gevaar voor beschadiging

Ontsmetting mag enkel worden uitgevoerd door getraind personeel. Neem contact op met uw vakhandelaar.

Gebruik een zachte, vochtige doek en lauwwarm water met een mild huishoudelijk desinfectiemiddel om het bed schoon te maken.

4.3 Problemen oplossen

Soms kan er een technisch probleem ontstaan ondanks dat u het verpleegbed goed gebruikt. Als dit het geval is, raadpleeg dan eerst uw lokale vakhandelaar.



VOORZICHTIG

Kans op letsel en schade aan het verpleegbed

- Ga in GEEN geval zelf aan uw verpleegbed sleutelen in een poging om het probleem op te lossen.

Volgende symptomen kunnen op een probleem duiden. Contacteer dan ook uw vakhandelaar als u één van volgende afwijkingen constateert:

- Afwijkend geluid;
- Versleten/beschadigde voedingskabels;
- Gescheurde of gebroken connectoren;
- Schokkerige beweging van de framedelen;
- Beschadigde of gebroken zwenkwielen;
- Het verpleegbed heeft voeding, maar de handset werkt niet.

4.4 Verwachte levensduur

De gemiddelde levensduur van uw bed is 5 jaar. De levensduur zal toenemen of afnemen afhankelijk van de gebruiksfrequentie en onderhoud.

4.5 Hergebruik

Voor ieder hergebruik moet het bed ontsmet, geïnspecteerd en onderhouden worden volgens de instructies in §4.1 en §4.2.

4.6 Einde gebruik

Bij einde levensduur dient u het verpleegbed en alle toebehoren volgens de lokale milieuwetgeving af te voeren. Best kunt u het bed demonteren zodat de herbruikbare materialen makkelijker vervoerd en gerecycleerd kunnen worden.

5 Technische specificaties

Onderstaande technische gegevens zijn geldig voor dit verpleegbed, bij standaard instellingen en optimale omgevingscondities. Hou rekening met deze gegevens tijdens gebruik.

De waarden gelden niet meer ingeval van aanpassingen, schade of ernstige slijtage aan uw verpleegbed.

Merk	Vermeiren
Type	Bed
Model	Club
Maximale massa gebruiker	165 kg

Beschrijving	Min.	Max.
Lengte	Club: 2125 mm Club VARIO, Club UL: 2175 mm	
Breedte	Club: 1005 mm Club VARIO, Club UL: 1037 mm	
Hoogte (zonder zelfoprichter)	Club, Club VARIO: 834 - 1262 mm Club UL: 725 – 1135 mm	
Hoogte (met zelfoprichter)	Club, Club VARIO: 1710 - 2120 mm Club UL: 1605 – 2015 mm	
Hoogteverstelling van de lattenbodem van het bed (positie 1)	Club: 350 mm (zonder matras) Club VARIO: 335 mm (zonder matras) Club UL: 215 mm	Club: 760 mm (zonder matras) Club VARIO: 745 mm (zonder matras) Club UL: 625 mm
Hoogteverstelling van de lattenbodem van het bed (positie 2)	Club VARIO: 400 mm (zonder matras)	Club VARIO: 810 mm (zonder matras)
Lengte dichtgevouwen	441 mm	
Breedte dichtgevouwen	1037 mm	
Hoogte dichtgevouwen	1352 mm	
Totaal gewicht	Club: 60,8 kg Club VARIO: 62 kg Club UL: 73,5 kg	
Max. verstelling rugdeel	69°	
Max. verstelling bovenbeen	20,7°	
Max. verstelling onderbeen	-16,5°	
Anti-Trendelenburg hoek	10,6°	
Max. hoek rugdeel *	80,5°	
Max. hoek bovenbeen *	20,7°	
Max. hoek onderbeen *	-28,5°	
Max. veilige belasting **	200 kg	
Zelfoprichter	Nominale last 80 kg	
Matras	min. RG 35, 120 mm dik, 2000 x 900 mm, max. 20 kg	
Vrije hoogte voor patiëntenlift	Club, Club Vario: 150 mm Club UL: 30 mm	
Wielen (4 stuks)	Ø 100 mm , vergrendelbaar	
Motor spondes	LA24090405E001B4, Linak	
Motor hoofdeinde	LA24050110G00134, Linak	

Motor voeteneinde	LA24060060G001B4, Linak	
Handbediening	HLW074-029, Linak	
Transformator	CA2+06473N090A0, Linak	
Nominale spanning, transformator	U ingang: 230 V~, ± 10%, 50 Hz, stroom: max. 1.5 A, U uitgang: 24V ---, 3,5 A	
Inschakeltijd	10%, max. 2 min / 18 min	
Geluidsdruk	< 65 dB(A)	
Beschermklasse / beschermingsgraad	Beschermklasse II, toepassingsdeel Type B / IPX4 (spatwaterdicht)	
Opslag en gebruikstemperatuur	+ 5 °C	+ 41 °C
Opslag en gebruiksluchtvochtigheid	30%	70%
<p>We behouden ons het recht voor om technische wijzigingen te introduceren. Meettolerantie ± 15 mm / 1,5 kg / 1,5°</p> <p>* Gemeten volgens IEC 60601-2-52, met een horizontaal referentievlak, eventueel in combinatie met anti-Trendelenburg positie</p> <p>** Max. veilige belasting = massa van de gebruiker + massa van matras + massa van overige accessoires</p>		

Tabel 1: Technische specificaties

Inhalt	1
Vorwort	2
1 Ihr Produkt	3
2 Vor der Benutzung	4
2.1 Vorgesehene Benutzung	4
2.2 Allgemeine Sicherheitshinweise	4
2.3 Symbole am Pflegebett	5
3 Verwendung	6
3.1 Montage/Demontage, Transport und Lagerung	6
3.2 Montage	6
3.3 Benutzung des Bedienteils	6
3.4 Bedienung der Lenkrollen	7
3.5 Bedienung der Seitengitter (optional)	8
3.6 Beinauflage manuell einstellen (optional)	9
3.7 In das Bett legen/aus dem Bett aufstehen	9
4 Wartung	10
4.1 Wartungspunkte	10
4.2 Wartungshinweise	11
4.3 Störungsbeseitigung	11
4.4 Voraussichtliche Nutzungsdauer	11
4.5 Wiederbenutzung	11
4.6 Nutzungsende	11
5 Technische Daten	12

Vorwort

DE

Herzlichen Glückwunsch! Sie sind nun Besitzer eines Vermeiren-Pflegebetts!

Dieses Pflegebett wurde von versierten und engagierten Mitarbeitern gefertigt. Es entspricht hinsichtlich Konstruktion und Fertigung den hohen Qualitätsstandards von Vermeiren.

Vielen Dank für Ihr Vertrauen in Produkte von Vermeiren. Dieses Handbuch soll Ihnen bei der Benutzung dieses Pflegebetts und seiner Bedienmöglichkeiten helfen. Lesen Sie es daher bitte aufmerksam durch, um sich mit der Bedienung, den Fähigkeiten und Beschränkungen Ihres Pflegebetts vertraut zu machen.

Sollten Sie nach der Lektüre dieses Handbuchs noch Fragen haben, können Sie sich jederzeit an Ihren Fachhändler wenden. Er wird Ihnen gerne in dieser Angelegenheit weiterhelfen.

Wichtiger Hinweis

Um Ihre Sicherheit zu gewährleisten und die Nutzungsdauer Ihres Produkts zu verlängern, sollten Sie es gut behandeln und regelmäßig überprüfen und/oder warten lassen.

Dieses Handbuch enthält die neuesten Produktentwicklungen. Vermeiren behält sich das Recht vor, Veränderungen an dieser Art von Produkt vorzunehmen, ohne eine Verpflichtung einzugehen, ähnliche bereits ausgelieferte Produkte anzupassen oder auszutauschen.

Zur Präzisierung der Anweisungen in diesem Handbuch werden Abbildungen verwendet. Details des abgebildeten Produkts können von Ihrem Produkt abweichen.

Verfügbare Informationen

Auf unserer Website <http://www.vermeiren.com/> finden Sie stets die aktuellste Version folgender Informationen. Informieren Sie sich bitte regelmäßig auf dieser Website nach eventuell verfügbaren Aktualisierungen.

Sehbehinderte Menschen können sich die elektronische Version dieses Handbuchs herunterladen und mit Hilfe einer Sprachsyntheselösung („Text-to-Speech-Software“) vorlesen lassen.



- Dieses Handbuch
Für Benutzer und Fachhändler



- Montageanleitung (Anweisungen zur Montage und Demontage)
Für Fachhändler

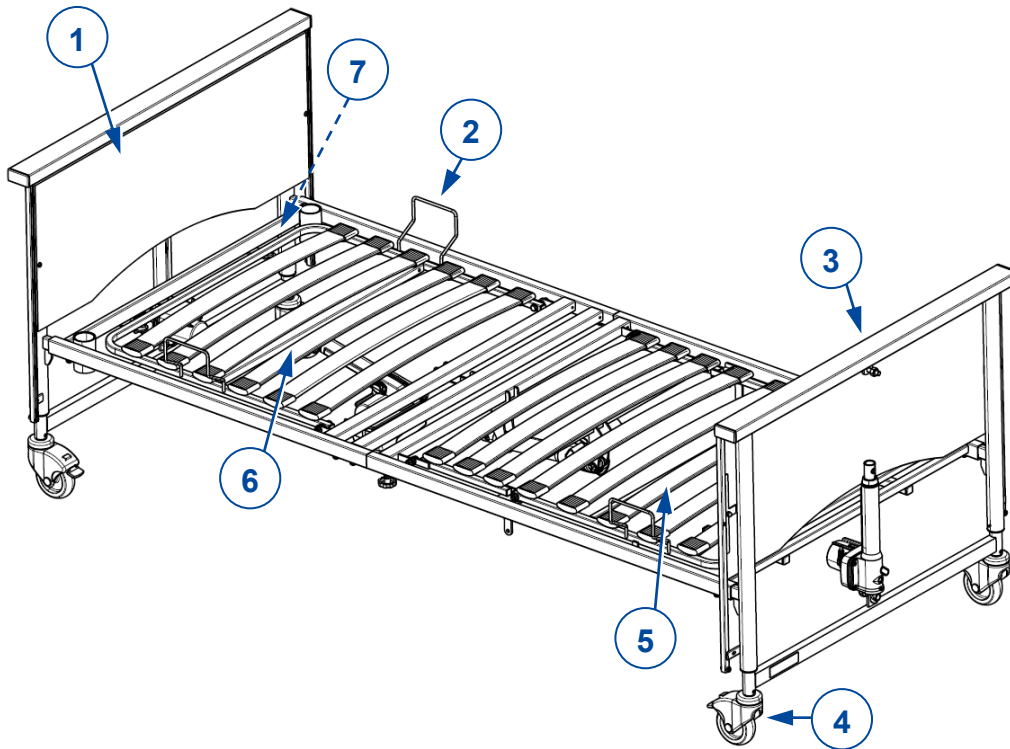


- Servicehandbuch (Betten)
Für Fachhändler



- EG-Konformitätserklärung
Für Benutzer und Fachhändler

1 Ihr Produkt



1. Kopfteil
2. Matratzenhalter
3. Fußteil
4. Lenkrolle
5. Fußende
6. Kopfende
7. Typenschild

2 Vor der Benutzung

2.1 Vorgesehene Benutzung

Dieser Kapitel enthält eine kurze Beschreibung der vorgesehenen Benutzung Ihres Pflegebetts. Darüber hinaus enthalten die Anweisungen in den anderen Kapiteln zusätzliche Warnhinweise. Auf diese Weise wollen wir Sie auf die Möglichkeit einer unsachgemäßen Benutzung hinweisen.

- Dieses Pflegebett ist als ein Klasse II-Produkt eingestuft und nur für die Benutzung im Innenbereich geeignet.
- Es ist ausschließlich dafür konzipiert und gefertigt, eine (1) Person mit einem Gewicht von maximal 165 kg zu tragen.
- Das Pflegebett ist für die häusliche Krankenpflege gemäß IEC-Norm 60601-2-52, Anwendungsumgebung 4, konzipiert.
- Verwenden Sie nur eine geeignete Matratze auf diesem Bett (zu Einzelheiten siehe 5).
- Verwenden Sie ausschließlich von Vermeiren genehmigte Zubehör- oder Ersatzteile.
- Die Garantie für dieses Produkt beruht auf dessen normaler Benutzung und Wartung wie in diesem Handbuch beschrieben. Schäden an Ihrem Produkt, die auf unsachgemäße Benutzung oder mangelnde Wartung zurückzuführen sind, führen zum Erlöschen der Garantie.

2.2 Allgemeine Sicherheitshinweise

 **WARNUNG** Gefahr von Personen- und/oder Sachschäden

Nehmen Sie keine Änderungen am Bett ohne Genehmigung des Herstellers vor.

 **VORSICHT** Gefahr von Personen- und/oder Sachschäden

Befolgen Sie die Anweisungen in diesem Handbuch und beachten Sie die Sicherheitshinweise. Andernfalls besteht die Gefahr, dass Sie sich oder Dritte oder verletzen könnten oder das Pflegebett beschädigt werden könnte.

- Benutzen Sie das Bett nur auf einem ebenen, flachen und stabilen Untergrund, so dass alle vier Räder Bodenkontakt haben.
- Wenn der Patient unbeaufsichtigt im Bett gelassen wird, lassen Sie das Bett in der tiefstmöglichen Position stehen.
- Überschreiten Sie keinesfalls die maximale Belastung wie in Kapitel 5 angegeben.
- Benutzen Sie das Bett NICHT als Transportmittel, Steighilfe oder Ablage für schwere oder heiße Gegenstände.
- Der Hersteller haftet nicht für Schäden, die auf mangelnde oder unsachgemäße Wartung oder die Nichtbefolgung der Anweisungen in diesem Handbuch zurückzuführen sind.
- Ihr Pflegebett wurde auf elektromagnetische Verträglichkeit geprüft und erfüllt die entsprechende Norm. Ungeachtet dieser Konformität besteht die Möglichkeit, dass das Betriebsverhalten durch elektromagnetische Felder (z. B. Mobiltelefone, Hochleistungs-Energiequellen) beeinflusst wird.
- Es besteht die Möglichkeit, dass die Elektronik des Bettes andere elektronische Geräte beeinflusst. Das Bett sollte daher auf Beschädigungen oder Verschleiß überprüft werden (siehe Kapitel 4).
- Verwenden Sie keine mechanischen oder elektrischen Vorrichtungen am Bett.
- Stellen Sie beim Betrieb des Bettes sicher, dass keine Gegenstände oder Kabel zwischen beweglichen Teilen des Bettes eingeklemmt werden. Achten Sie darauf, dass das Netzkabel nicht durch bewegliche Teile oder scharfe Kanten oder durch Quetschen unter den Rädern beschädigt wird.

Sollte sich ein schwerwiegender Zwischenfall mit Ihrem Produkt ereignet haben, benachrichtigen Sie Vermeiren oder Ihren Fachhändler sowie die zuständige Behörde in Ihrem Land.

2.3 Symbole am Pflegebett

Die nachstehend aufgeführten Symbole gelten für das Pflegebett. Fehlende Symbole finden Sie in der entsprechenden ISO-Norm (ISO 7000, ISO 7001 und IEC 417).



Maximalgewicht des Benutzers (in kg)



Maximale sichere Arbeitslast (in kg)



Maximal Matratzendicke (in mm)



Matratzenabmessungen (in cm)



Typbezeichnung



Klemmgefahr

3 Verwendung

3.1 Montage/Demontage, Transport und Lagerung

Das Bett wird von Ihrem Fachhändler gemäß den Anweisungen in die Montageanleitung montiert. Für den Transport kommen sämtliche Teile in einen Transportwagen. Befestigen Sie den Transportwagen und die Bettelemente fest am Fahrzeug, damit sie sich während des Transports nicht bewegen können.

Bei Nichtgebrauch sollte das Bett an einem trockenen Platz abgestellt werden (zu Einzelheiten siehe Kapitel 5).

3.2 Montage

VORSICHT

Gefahr von Personen- oder Sachschäden

- Achten Sie darauf, das Bett ohne Personen darin zu bewegen.
- 1. Sofern noch nicht geschehen, montieren Sie das Bett gemäß den Anweisungen in der Montageanleitung.
- 2. Achten Sie bei Benutzung des Bettes darauf, dass sich Bezüge und Laken innen hinter den Seitengittern befinden.
- 3. Trennen Sie das Netzkabel von der Steckdose ab und legen Sie das Kabelende auf das Bett.
- 4. Lösen Sie die Bremse an allen vier Lenkrollen (siehe 3.4).
- 5. Rollen Sie das leere Bett an seinen Platz.
- 6. Betätigen Sie anschließend die vier Bremsen (siehe 3.4).
- 7. Schließen sie das Netzkabel des Bettes an einer Steckdose mit 220/230 V Wechselstrom an.

3.3 Benutzung des Bedienteils

**VORSICHT**

Verletzungsgefahr

- Um den sicheren Betrieb des Bettes sicherzustellen, darf die Betriebsart NUR von autorisiertem medizinischen Personal mit dem Schlüsselanhänger geändert werden.

Das Pflegebett wird mit einem Bedienteil geliefert, um die beweglichen Teile zu betätigen. Das Bedienteil hat zwei Betriebsarten: normaler Patientenbetrieb und Betrieb durch autorisiertes und geschultes medizinisches Personal. In letzterem Fall ist das Bedienteil nur mit einem Schlüsselanhänger zugänglich, um von geschultem medizinischem Personal benutzt zu werden.

3.3.1 Benutzung durch den Patienten

- i** Einige der nachstehend genannten Tasten reagieren unter Umständen nicht, wenn Sie sie betätigen. Das liegt daran, dass sie je nach Ihrem Gesundheitszustand vom Pflegepersonal gesperrt sind.

Die folgenden Tasten sind auf dem Bedienteil verfügbar. Drücken und halten Sie die Tasten so lange, bis die gewünschte Stellung erreicht ist. Um die Bewegung anzuhalten, lassen Sie die Taste wieder los.



Rückenverstellung AUF/AB



Beinverstellung AUF/AB



Rahmengerüst AUF/AB



Anti-Trendelenburg

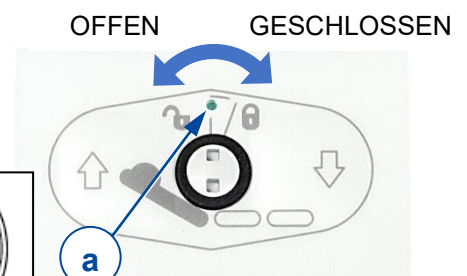
3.3.2 Sperrfunktion (nur für medizinische Zwecke)

Um versehentliche Bewegungen durch den Patienten zu verhindern, lassen sich die Taste des Bedienteils mit einem Schlüsselanhänger sperren.

Zum Sperren / Entsperrn muss das kleine Einstellrad zwischen zwei Tasten mit Hilfe des Schlüssels gedreht werden.

Die Anzeige (a) in der Mitte des Schalters leuchtet

- grün, wenn der Verriegelungsschalter entsperrt ist
- gelb, wenn der Verriegelungsschalter gesperrt ist



3.4 Bedienung der Lenkrollen

⚠ VORSICHT Verletzungsgefahr

- Vor der Benutzung des Pflegebetts müssen alle vier Lenkrollen arretiert werden. Wenn nur eine Bremse angezogen ist, kann sich das Bett immer noch bewegen.

i Der korrekte Betrieb der Lenkrollen wird durch Verschleiß und Verunreinigung beeinflusst (Wasser, Öl usw.). Überprüfen Sie vor jeder Benutzung den Zustand der Rollen.

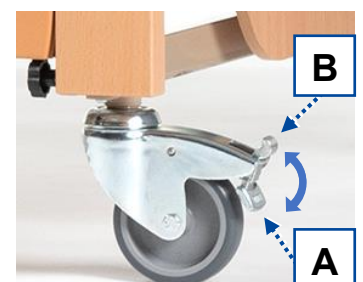
Um ein versehentliches Rollen zu unterbinden, lassen sich die Bremsen an allen Lenkrollen arretieren.

Feststellen (A)

Fläche des Kipphebels mit dem Fuß bis zum Anschlag nach unten treten.

Lösen (B)

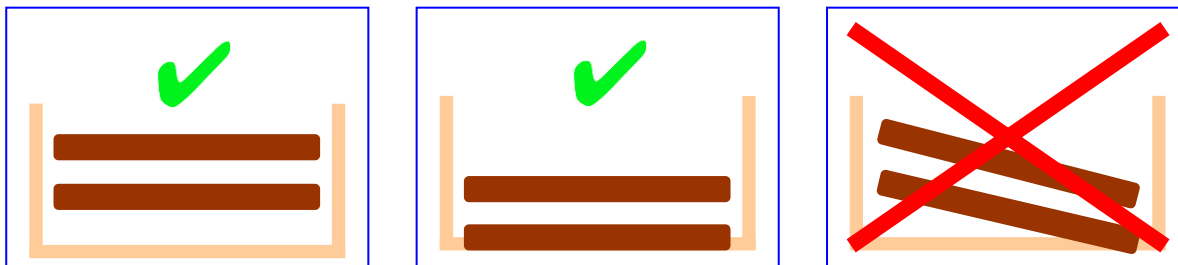
Fläche des Kipphebels mit dem Fuß bis zum Anschlag nach oben treten.



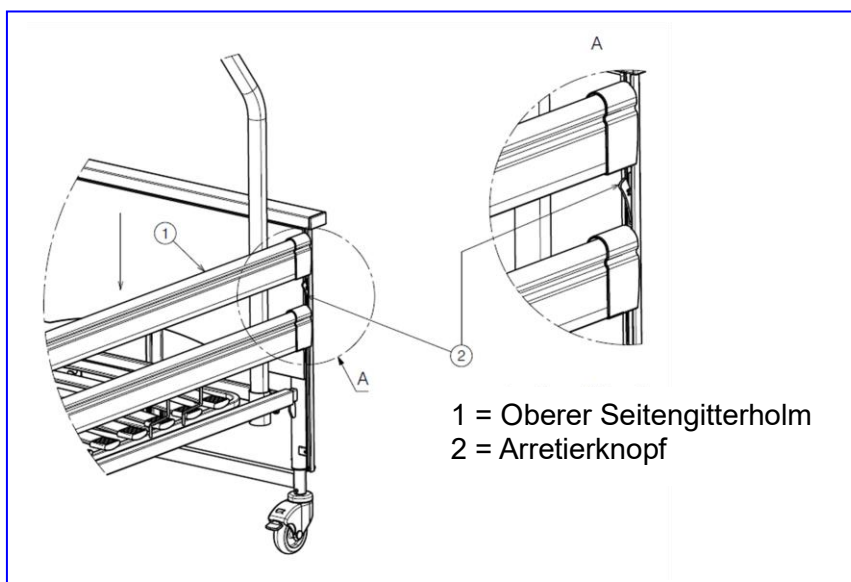
3.5 Bedienung der Seitengitter (optional)

3.5.1 Seitengitter aus Holz

Stellen Sie sicher, dass die Funktionen des Bettes beim Anheben oder Absenken der Seitengitter nicht beeinträchtigt werden.

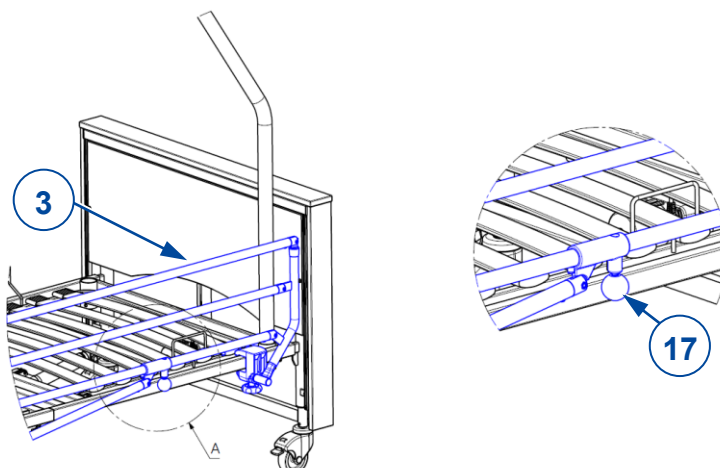


1. Heben Sie den oberen Seitengitterholm vorsichtig an.
2. Drücken Sie den Arretierknopf an der Schiene des Seitengitters und halten Sie ihn gedrückt, während Sie das Seitengitter langsam nach unten schieben. Ergreifen Sie immer nur die obere Holzlatte.



3.5.2 Seitengitter aus Metall (nicht für Club UL)

- Seitengitter (3) herunterklappen: ziehen Sie den schwarzen Kugelknopf (17) nach unten, um das Seitengitter zu entriegeln und herunterzuklappen.
- Seitengitter (3) heraufklappen: ziehen Sie das Gitter nach oben, bis es einrastet.



3.5.3 Geteilte Seitenschienen (nicht für Club UL)

- Seitengitter (4) herunterklappen: Ziehen Sie den Knopf (20), um das Seitengitter zu entriegeln und klappen Sie die Schiene nach unten. Falls erforderlich, wiederholen Sie dies für das zweite geteilte Seitengitter auf derselben Seite.
- Seitengitter (4) heraufklappen: ziehen Sie das Gitter nach oben, bis es einrastet.



3.6 Beinauflage manuell einstellen (optional)

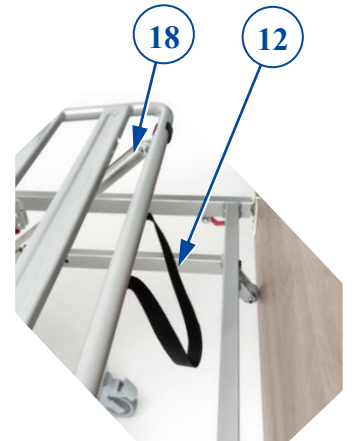


Gefahr von Verletzungen durch Einklemmen oder Beschädigungen des Betts

- Stellen Sie sicher, dass weder anwesende Personen noch Gegenstände zwischen beweglichen Teilen eingeklemmt werden.
- Benutzen Sie nur den Hurt (12) am Fußende, um die Höhe der Beinauflage einzustellen.

Beine/Füße anheben

1. Um Füße und Beine anzuheben, ergreifen Sie den Gurt am Fußende des Betts.
2. Ziehen Sie am Gurt, um den Beinbereich des Matratzengestells in die gewünschte Höhe zu bringen. Wenn Sie aufhören zu ziehen, rastet das System (18) in der jeweiligen Stellung ein.



Beine/Füße absenken

1. Ziehen Sie am Gurt, bis die höchste Stellung erreicht ist, um das Rastsystem (18) zu entriegeln.
2. Halten Sie den Gurt fest und senken Sie den Beinbereich langsam ab.

3.7 In das Bett legen/aus dem Bett aufstehen



Sturzrisiko

- Falls Sie den Vorgang allein nicht sicher bewältigen können, bitten Sie jemanden um Hilfe.

Zu Bett gehen

1. Prüfen Sie, ob die Bremsen der Lenkrollen betätigt sind (siehe 3.4).
2. Stellen Sie die Höhe des Bettes mit dem Bedienteil ein (siehe 3.3).
3. Senken Sie das Seitengitter ab (siehe 3.5).
4. Stellen Sie sich möglichst dicht neben das Bett.
5. Legen Sie sich ins Bett. Benutzen Sie die Aufrichtstange mit dem Trapezhandgriff, um die richtige Liegeposition einzunehmen.
6. Klappen Sie das Seitengitter hoch (siehe 3.5).

Aufstehen

1. Stellen Sie das Bett so ein, dass Sie möglichst leicht aus dem Bett aufstehen können:
 - Senken Sie den Unterschenkelbereich ab (siehe 3.6 oder 3.3).
 - Senken Sie das Seitengitter ab (siehe 3.5).
 - Senken Sie das Bett mit dem Bedienteil ab (siehe 3.3).
2. Richten Sie sich auf und schwenken Sie Ihre Beine aus dem Bett heraus. Benutzen Sie die Aufrichtstange mit dem Trapezhandgriff, um die richtige Liegeposition einzunehmen.

4 **Wartung**

Obwohl Ihr Pflegebett nur minimalen Wartungsaufwand erfordert, ist es dennoch ratsam, es regelmäßig zu inspizieren, um einen störungsfreien Betrieb für viele Jahre sicherzustellen.

4.1 **Wartungspunkte**

VORSICHT

Beschädigungsgefahr

- Reparaturen und Erneuerungen dürfen nur von geschultem Personal und mit Original-Ersatzteilen von Vermeiren durchgeführt werden.
- i**
 - Auf der letzten Seite dieses Handbuchs befindet sich ein Registrierungsformular, auf dem der Fachhändler jeden Service dokumentieren kann.
 - Die Wartungshäufigkeit hängt von der Häufigkeit und Intensität der Nutzung ab. Wenden Sie sich an Ihren Fachhändler, um einen allgemeinen Zeitplan für Inspektion/Wartung/Reparatur zu vereinbaren.
 - Erkundigen Sie sich bei der nächstgelegenen Vermeiren-Geschäftsstelle nach einem Servicepunkt oder Fachhändler in Ihrer Nähe.

Einmal pro Jahr / für jeden Neubenutzer

Bevor dieses Pflegebett einem Neubenutzer übergeben wird, mindestens jedoch einmal pro Jahr, muss es gewartet und desinfiziert werden. Für weitergehende Hinweise wenden Sie sich bitte an Ihren Fachhändler.

Einmal pro Monat

Unterziehen Sie folgende Punkte einer regelmäßigen Sichtprüfung:

- Achten Sie darauf, dass keine Drähte, Haare, Sand oder Teppichfasern an den Lenkrollen anhaften.
- Überprüfen Sie die Funktion der Bremsen. Falls sich das Bett bewegen lässt, obwohl die Bremsen betätigt wurden, sollten Sie Räder und Bremsen auf Verschleiß oder Beschädigung durch Öl, Wasser usw. überprüfen.
- Bedienteil, Motoren, Verbindungspunkte und Kabel: auf Schäden wie durchgescheuerte oder gebrochene und dadurch freiliegende Kabel überprüfen.
- Kontrollieren Sie, ob alle Teile ordnungsgemäß gesichert sind.
- Kontrollieren Sie alle Teile auf Beschädigungen oder Verschleiß. Wenden Sie sich wegen etwaiger Reparaturen oder Ersatzteilen an Ihren Fachhändler.

Einmal pro Woche

Reinigung:

- Entfernen Sie Staub mit einem weichen Tuch oder einem Staubsauger.
- Bei starker Verschmutzung machen Sie das Pflegebett frei und entfernen die Matratze. Wischen Sie alle Teile mit einem feuchten (nicht durchnässten) Tuch ab. Benutzen Sie ggf. eine milde Seife, die für Lacke und Kunststoffe geeignet ist.

Bei Lagerung

Achten Sie darauf, dass das Bett trocken gelagert wird, um Schimmel- oder Rostbefall zu vermeiden (siehe Kapitel 5).

4.2 Wartungshinweise

4.2.1 Reinigung

VORSICHT

Beschädigungsgefahr durch Feuchtigkeit

- Halten Sie Bedienteil, Motoren und Verbindungspunkte sauber und schützen Sie sie vor Feuchtigkeit.
- Halten Sie die Bedienkonsole sauber und schützen Sie sie vor Wasser und Regen.
- Benutzen Sie keinesfalls einen Wasserschlauch oder Hochdruckreiniger, um das Bett zu reinigen.

Wischen Sie alle festen Teile des Bettes mit einem feuchten (nicht durchnässten) Tuch ab. Benutzen Sie ggf. eine milde Seife, die für Lacke und Kunststoffe geeignet ist. Die Polsterung kann mit lauwarmem Wasser und einer milden Seife gereinigt werden. Verwenden Sie keine scheuernden Reinigungsmittel.

4.2.2 Desinfektion

VORSICHT

Beschädigungsgefahr

Eine Desinfektion darf nur von dafür geschultem Personal durchgeführt werden. Wenden Sie sich hierfür an Ihren Fachhändler.

Verwenden Sie zum Reinigen des Bettes ein weiches, feuchtes Tuch und lauwarmes Wasser mit einem milden Desinfektionsmittel für den Haushalt.

4.3 Störungsbeseitigung

Auch bei ordnungsgemäßer Benutzung des Pflegebetts kann ein technisches Problem auftreten. In diesem Fall wenden Sie sich bitte an Ihren Fachhändler.



VORSICHT

Gefahr von Verletzungen und Schäden am Pflegebett

- Versuchen Sie NIEMALS, das Pflegebett selbst zu reparieren, um ein Problem zu beheben.

Die nachstehend genannten Symptome können auf ein Problem hindeuten. Sie sollten sich daher stets an Ihren Fachhändler wenden, wenn eine der folgenden Situationen eintritt:

- Ungewöhnliche Geräusche
- Durchgescheuerte/gebrochene Stromkabel
- Gerissene oder gebrochene Steckverbinder
- Ruckartige Bewegungen der Rahmenteile
- Beschädigte oder gebrochene Lenkrollen
- Das Bedienteil funktioniert nicht, obwohl die Stromversorgung für das Pflegebett intakt ist

4.4 Voraussichtliche Nutzungsdauer

Die durchschnittliche Nutzungsdauer Ihres Pflegebetts beträgt 5 Jahre. Je nach Nutzungshäufigkeit und Wartung kann die Nutzungsdauer Ihres Rollstuhls länger oder kürzer sein.

4.5 Wiederbenutzung

Lassen Sie das Bett vor jeder Wiederbenutzung desinfizieren, inspizieren und entsprechend den Anweisungen in Abschnitt 4.1 und 4.2 warten.

4.6 Nutzungsende

Am Ende seiner Nutzungsdauer muss das Pflegebett gemäß den geltenden Umweltvorschriften entsorgt werden. Dazu wird es im besten Fall zerlegt, um den Transport wiederverwertbarer Teile zu erleichtern.

5 Technische Daten

Die nachstehenden technischen Daten gelten für dieses Pflegebett nur bei Standardeinstellungen und optimalen Umgebungsbedingungen. Berücksichtigen Sie diese Details bei der Benutzung.

Die Werte gelten nicht mehr, falls das Pflegebett modifiziert wurde, beschädigt ist oder starke Verschleißerscheinungen aufweist.

Hersteller	Vermeiren
Typ	Pflegebett
Modell	Club
Max. Benutzergewicht	165 kg

Beschreibung	Min.	Max.
Länge	Club: 2125 mm Club VARIO, Club UL: 2175 mm	
Breite	Club: 1005 mm Club VARIO, Club UL: 1037 mm	
Höhe (ohne Aufrichter)	Club, Club VARIO: 834 - 1262 mm Club UL: 725 – 1135 mm	
Höhe (mit Aufrichter)	Club, Club VARIO: 1710 - 2120 mm Club UL: 1605 – 2015 mm	
Liegefläche höhenverstellbar (Position 1)	Club: 350 mm (ohne Matratze) Club VARIO: 335 mm (ohne Matratze) Club UL: 215 mm	Club: 760 mm (ohne Matratze) Club VARIO: 745 mm (ohne Matratze) Club UL: 215 mm
Liegefläche höhenverstellbar (Position 2)	Club VARIO: 400 mm (ohne Matratze)	Club VARIO: 810 mm (ohne Matratze)
Länge zusammengeklappt	441 mm	
Breite zusammengeklappt	1037 mm	
Höhe zusammengeklappt	1352 mm	
Gesamtgewicht	Club: 60,8 kg Club VARIO: 62 kg Club UL: 73,5 kg	
Max. Verstellung des Rückenbereichs	69°	
Max. Oberschenkelverstellung	20,7°	
Max. Unterschenkelverstellung	-16,5°	
Anti-Trendelenburg Winkel	10,6°	
Max. Winkel Rückenlehnen *	80,5°	
Max. Winkel Oberschenkel *	20,7°	
Max. Winkel Unterschenkel *	-28,5°	
Max. sichere Arbeitslast **	200 kg	
Aufrichter	Nennlast 80 kg	
Matratze	Min. RG 35, 120 mm Dicke, 2000 x 900 mm, max. 20kg	
Unterfahrbarkeit für Patientenlifter	Club, Club Vario: 150 mm Club UL: 30 mm	
Lenkrollen (4 Stück)	Ø 100 mm, feststellbar	
Motor Stirnteile	LA24090405E001B4, Linak	
Motor des Rückenbereichs	LA24050110G00134, Linak	

Motor des Beinbereichs	LA24060060G001B4, Linak	
Handbedienung	HLW074-029, Linak	
Trafo	CA2+06473N090A0, Linak	
Nennspannung Trafo	U in: 230 V~, ± 10%, 50 Hz, I In: max. 1.5 A, U Aus: 24V ---, 3,5 A	
Einschaltdauer	10%, max. 2 min / 18min	
Schalldruck	< 65 dB(A)	
Schutzklasse / Schutzart	Schutzklasse II, Anwendungsteil Typ B / IPX4 (spritzwassergeschützt)	
Temperaturbereich für Lagerung und Nutzung	5 °C	+41 °C
Luftfeuchtigkeitsbereich für Lagerung und Nutzung	30%	70%

Technische Änderungen vorbehalten. Messtoleranzen ± 15 mm / 1,5 kg / 1,5°
*** Gemessen nach IEC 60601-2-52, mit horizontaler Bezugsebene, eventuell in Kombination mit Anti-Trendelenburg-Position**
**** Max. sichere Arbeitslast = Benutzergewicht + Matratzengewicht + Zubehörgewicht**

Tabelle 1: Technische Daten

Indice

Indice	1
Premessa	2
1 Il prodotto	3
2 Prima dell'uso	4
2.1 Uso previsto	4
2.2 Istruzioni generali di sicurezza	4
2.3 Simboli presenti sul letto per degenti	5
3 Uso del letto per degenti	6
3.1 Montaggio/smontaggio, trasporto e magazzinaggio	6
3.2 Installazione	6
3.3 Uso del telecomando	6
3.4 Funzionamento delle ruote piroettanti	7
3.5 Barre laterali (facoltativo)	8
3.6 Regolazione manuale della sezione di supporto delle gambe (facoltativo) ...	9
3.7 Trasferimento al/dal letto	9
4 Manutenzione	11
4.1 Punti di manutenzione.....	11
4.2 Istruzioni per la manutenzione	12
4.3 Soluzione dei problemi di funzionamento.....	12
4.4 Durata prevista.....	12
4.5 Utilizzi successivi	12
4.6 Fine vita	12
5 Specifiche tecniche	13

Premessa

IT

Congratulazioni! Ora possiede un letto Vermeiren per degenti!

Questo letto per degenti è realizzato da personale qualificato e competente. Esso è progettato e prodotto secondo gli elevati standard di qualità garantiti da Vermeiren.

Grazie per la fiducia accordata ai prodotti Vermeiren. Questo manuale viene fornito come supporto per l'uso del letto e delle sue opzioni operative. Leggerlo attentamente, in quanto aiuta a familiarizzarsi con il funzionamento, le prestazioni e le limitazioni del letto.

Per eventuali ulteriori domande successive alla lettura di questo manuale, rivolgersi al proprio concessionario autorizzato, che sarà lieto di fornire un supporto sull'argomento.

Nota importante

Per garantire la propria sicurezza e prolungare la durata del prodotto, trattarlo con cura e farlo controllare e/o sottoporlo a manutenzione con regolarità.

Questo manuale rispecchia gli sviluppi più recenti del prodotto. Vermeiren si riserva il diritto di introdurre modifiche di questo tipo di prodotto senza alcun obbligo di adattare o sostituire i prodotti analoghi consegnati in precedenza.

Le istruzioni contenute nel presente manuale siano chiarite con illustrazioni. I dettagli del prodotto possono discostarsi dal vostro prodotto.

Informazioni disponibili

Sul sito Web di Vermeiren, all'indirizzo <http://www.vermeiren.com/> è sempre disponibile la versione più recente delle informazioni indicate di seguito. Visitare con regolarità tale sito per verificare l'esistenza di eventuali aggiornamenti.

Le persone ipovedenti possono scaricare la versione elettronica di questo libretto e farlo leggere da un software applicativo di sintesi vocale.



- Questo manuale
Per l'utente e il concessionario autorizzato



- Manuale di installazione (per il montaggio e lo smontaggio)
Per il concessionario autorizzato



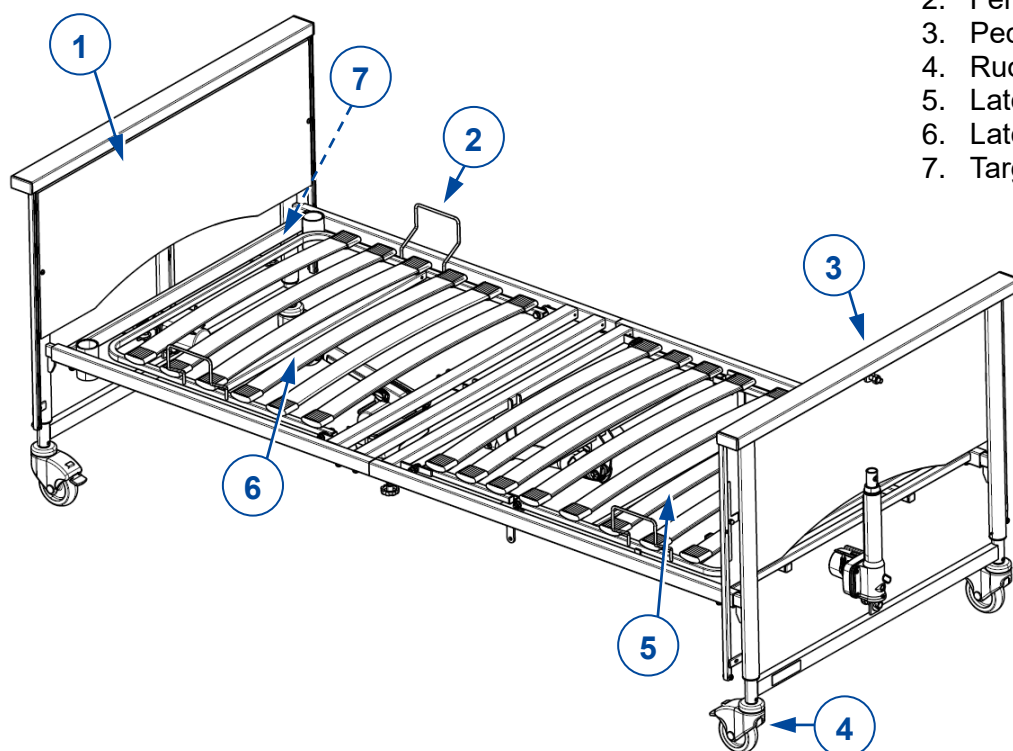
- Manuale di assistenza (Lettini)
Per il concessionario autorizzato



- Dichiarazione di conformità CE
Per l'utente e il concessionario autorizzato

1 Il prodotto

IT



1. Testiera
2. Fermo del materasso
3. Pediera
4. Ruote
5. Lato piedi
6. Lato testa
7. Targhetta di identificazione

2 Prima dell'uso

2.1 Uso previsto

Questo paragrafo fornisce una breve descrizione dell'uso previsto del letto per degenti. Gli altri paragrafi aggiungono inoltre alle istruzioni ulteriori avvertenze di rilievo. Vermeiren desidera in tal modo portare all'attenzione dell'utente gli eventuali usi errati che possono presentarsi.

- Questo letto per degenti è classificato come un prodotto elettrico della classe II, ed è adatto unicamente per l'uso al coperto.
- Questo letto per degenti è progettato e realizzato esclusivamente come dispositivo di riposo per una (1) sola persona di peso non superiore a 165 kg.
- Il letto per degenti è progettato per l'uso nell'ambito di attività di assistenza domiciliare a norma IEC 60601-2-52, ambiente di applicazione 4.
- Utilizzare unicamente materassi adatti per questo letto; per informazioni dettagliate, vedere il capitolo 5.
- Utilizzare esclusivamente accessori e ricambi approvati da Vermeiren.
- La garanzia relativa al prodotto presuppone un uso e una manutenzione normali del medesimo, come descritti in questo manuale. I danni al prodotto dovuti a uso improprio o manutenzione carente causano la decadenza della garanzia.

2.2 Istruzioni generali di sicurezza

**AVVERTENZA**

Rischio di lesioni e/o danni

Non apportare modifiche al letto senza l'approvazione del produttore.

**ATTENZIONE**

Rischio di lesioni e/o danni







Attenersi alle istruzioni contenute in questo manuale e osservare le indicazioni per la sicurezza. In caso contrario, è possibile ferirsi o danneggiare il letto per degenti.

- Utilizzare il letto su pavimenti solidi, piani e orizzontali, con tutte e quattro le ruote a contatto con il suolo.
- Quando il paziente viene lasciato incustodito nel letto, lasciare il letto nella posizione più bassa possibile.
- Non superare mai il carico massimo indicato nel capitolo 5.
- NON utilizzare il letto come mezzo di trasporto, scala o attrezzatura di magazzinaggio di oggetti pesanti o caldi.
- Il produttore declina ogni responsabilità per i danni causati da una manutenzione carente o errata, o derivanti dalla mancata osservanza delle istruzioni contenute in questo manuale.
- Il letto è stato sottoposto a prove di compatibilità elettromagnetica ed è conforme alla relativa norma. Malgrado tale compatibilità, è possibile che le prestazioni operative risentano di campi elettromagnetici come quelli di telefoni cellulari e generatori elettrici o fonti energetiche ad alta potenza.
- È possibile che gli apparati elettronici del letto influiscano su altri dispositivi elettronici. Si consiglia pertanto di verificare l'eventuale presenza di danni o usura del letto; vedere il capitolo 5.
- Non aggiungere al letto alcun dispositivo meccanico o elettrico.
- Assicurarvi che nessun oggetto o cavo rimanga intrappolato fra i componenti mobili del letto durante il funzionamento del medesimo. Assicuratevi che il cavo di alimentazione non venga danneggiato da parti in movimento o da spigoli vivi o schiacciato sotto le ruote.

Nel caso in cui si sia verificato un grave incidente con il vostro prodotto, informate Vermeiren o il vostro rivenditore specializzato e l'autorità competente del vostro paese.

2.3 Simboli presenti sul letto per degenti

Sul letto per degenti sono applicati i simboli contenuti nell'elenco che segue. I simboli mancanti sono riportati nella norma ISO pertinente (ISO 7000, ISO 7001 e IEC 417).

	Peso massimo dell'utente (kg)
	Carico massimo di esercizio in sicurezza (kg)
	Spessore massimo del materasso (mm)
	Dimensioni del materasso (cm)
	Indicazione del modello
	Rischio di intrappolamento

3 Uso del letto per degenti

3.1 Montaggio/smontaggio, trasporto e magazzinaggio

Il letto viene montato dal concessionario autorizzato secondo le istruzioni fornite nel manuale di installazione.

Per il trasporto, tutti i componenti sono riuniti su carrello di trasporto. Ancorare saldamente il medesimo e i componenti del letto al veicolo, in modo che non si muovano durante il tragitto.

Se il letto non è in uso, immagazzinarlo in un luogo asciutto; per informazioni dettagliate, vedere il capitolo 5.

3.2 Installazione

ATTENZIONE Rischio di lesioni e danni

- Avere cura di spostare il letto senza che sul medesimo sia presente alcuna persona.
 1. Se il letto non è ancora montato, montarlo seguendo le istruzioni fornite nel manuale di installazione.
 2. Se il letto è in uso, accertarsi che tutti i lenzuoli e le coperture di trovino all'interno delle sponde laterali.
 3. Scollegare il cavo di alimentazione dalla presa e collocare la sua estremità sul letto.
 4. Rilasciare i freni di tutte le ruote orientabili; vedere il punto 3.4.
 5. Spostare il letto vuoto nel punto desiderato.
 6. Una volta nella posizione richiesta, inserire i quattro freni; vedere il punto 3.4.
 7. Collegare il cavo di alimentazione del letto a una presa di corrente a 220/230 Vc.a.

3.3 Uso del telecomando

ATTENZIONE Rischio di lesioni

- Per garantire il funzionamento del letto in condizioni di sicurezza, la possibilità di cambiare modo operativo mediante il portachiavi è riservata **ESCLUSIVAMENTE** al personale medico autorizzato.

Il letto viene fornito con un telecomando che consente di azionarne i componenti mobili. Il telecomando ha due modi operativi, vale a dire l'azionamento normale da parte del paziente e quello da parte del personale medico autorizzato e addestrato. In quest'ultimo modo operativo, il telecomando è accessibile unicamente tramite un portachiavi che deve essere utilizzato da personale medico addestrato.

3.3.1 Uso da parte del paziente

- i** È possibile che alcuni pulsanti indicati di seguito non producano alcuna azione quando li si preme. Ciò significa che i pulsanti in questione sono bloccati, e possono essere utilizzati esclusivamente dal personale medico in base alle condizioni del paziente.

Sul telecomando è possibile utilizzare i pulsanti indicati di seguito. Tenere premuto uno dei pulsanti fino a raggiungere la posizione desiderata. Per arrestare il movimento, rilasciare il pulsante.



Sezione di supporto della schiena SU/GIÙ



Sezione gambe SU/GIÙ



Supporto del materasso SU/GIÙ



Posizione di anti-Trendelenburg

3.3.2 Funzione di bloccaggio (riservata al personale medico)

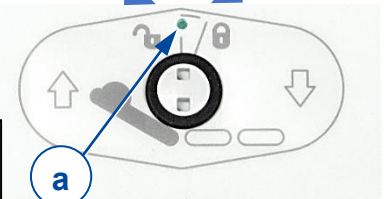
Per evitare movimenti accidentali ad opera del paziente, è possibile bloccare i pulsanti del telecomando utilizzando una chiave.

Per bloccare/sbloccare, girare con l'apposita chiave il piccolo quadrante tra i due bottoni.

L'indicatore (a) in corrispondenza della posizione centrale del tasto diventa

- verde quando i pulsanti sono sbloccati;
- rosso quando i pulsanti sono bloccati.

SBLOCCO BLOCCO



3.4 Funzionamento delle ruote piroettanti

ATTENZIONE Rischio di lesioni

- Prima di utilizzare il letto per degenti, bloccare tutte e quattro le ruote orientabili. Se si inserisce un solo freno, il letto è ancora in grado di spostarsi.

i L'usura e la contaminazione (con acqua, olio e così via) delle ruote orientabili influiscono sul buon funzionamento delle stesse. Verificare le condizioni delle ruote orientabili prima di ogni utilizzo.

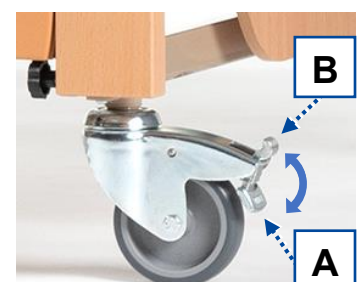
Per evitare spostamenti involontari, è possibile bloccare i freni di tutte le ruote orientabili.

Bloccaggio (A)

Spingere a fondo verso il basso la leva di bloccaggio.

Sbloccaggio (B)

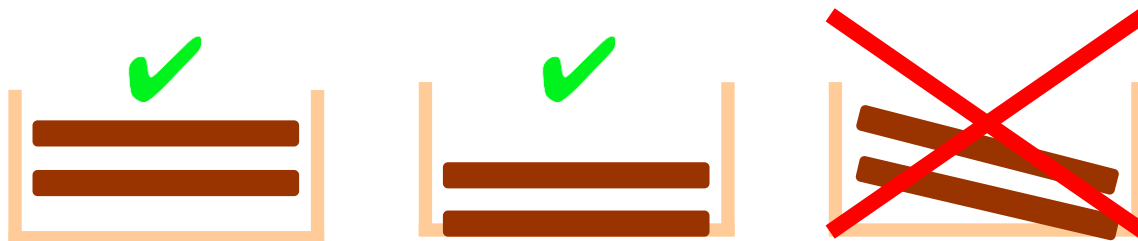
Sollevare completamente verso l'alto la leva di bloccaggio.



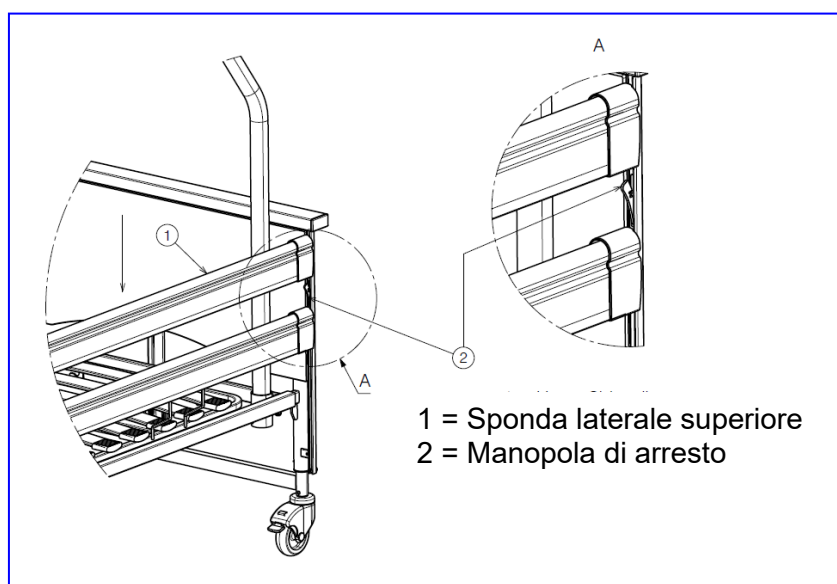
3.5 Barre laterali (facoltativo)

3.5.1 Barre laterali in legno

Assicurarsi che le funzioni del letto non siano compromesse durante il sollevamento o l'abbassamento delle sponde laterali.

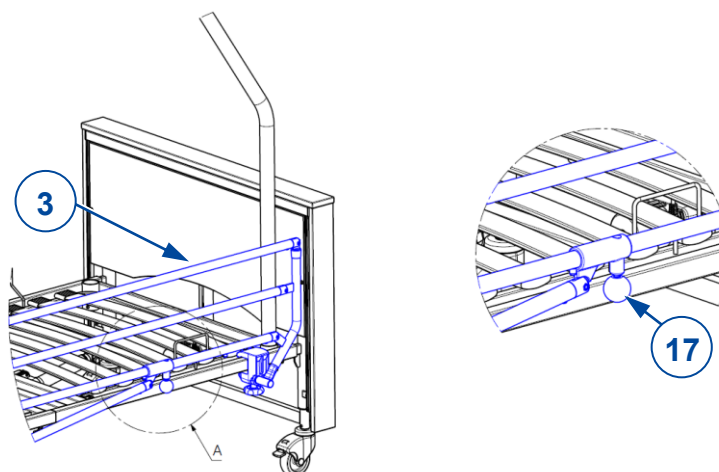


1. Sollevare la doga laterale superiore.
2. Tenere premuta la manopola di arresto sulla guida della sponda laterale e abbassare la sponda laterale lentamente. Afferrare sempre solo la rete superiore.



3.5.2 Barre laterali in metallo (non per il Club UL)

- Aprire la sponda (3): tirare la manopola sferica nera (17) per sbloccare e abbassare la sponda.
- Chiudere la sponda (3): sollevare la sponda fino a quando si blocca.



3.5.3 Barre laterali separate (non per il Club UL)

- Aprire la sponda (4): tirare la manopola (20) per sbloccare e abbassare la sponda. Se necessario, ripetere anche per la seconda sponda, sullo stesso lato
- Chiudere la sponda (4): sollevare la sponda fino a quando si blocca.



3.6 Regolazione manuale della sezione di supporto delle gambe (facoltativo)



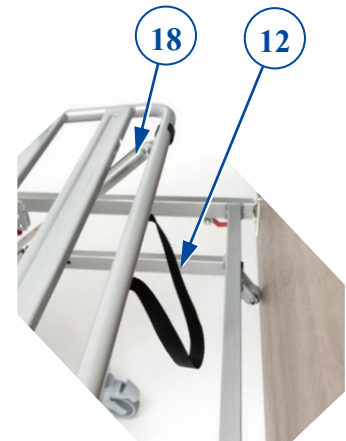
ATTENZIONE

Rischio di lesioni dovute a intrappolamento, oppure di danni al letto

- Avere cura che nessuna persona o nessun oggetto rimanga intrappolato fra i componenti in movimento.
- Utilizzare la cinghia (12) presente dal lato dei piedi esclusivamente per regolare l'altezza della sezione di supporto delle gambe.

Sollevamento delle gambe / dei piedi

1. Per regolare l'altezza dei piedi e delle gambe, afferrare la cinghia presente dal lato dei piedi del letto.
2. Tirare la cinghia verso l'alto per sollevare fino all'altezza desiderata la sezione delle gambe del supporto del materasso. Quando si smette di tirare, il sistema rimane bloccato all'altezza di una delle tacche del dispositivo Rastomat (18).



Abbassamento delle gambe / dei piedi

1. Per abbassare la sezione di supporto delle gambe, tirare la cinghia fino alla posizione più alta per sbloccare il dispositivo Rastomat (18).
2. Trattenerne la cinghia e abbassare lentamente la sezione di supporto delle gambe.

3.7 Trasferimento al/dal letto



ATTENZIONE

Rischio di caduta

- Se non si è in grado di effettuare il trasferimento in condizioni di sicurezza, richiedere l'assistenza di un'altra persona.

Distendersi sul letto

1. Verificare che i freni delle ruote orientabili siano inseriti; vedere il punto 3.4.
2. Regolare l'altezza del letto servendosi del telecomando; vedere il punto 3.3.
3. Abbassare la sponda laterale; vedere il punto 3.5.
4. Avvicinarsi il più possibile al bordo del letto.
5. Trasferirsi sul letto. Utilizzare l'asta di sollevamento con la maniglia trapezoidale per aiutarsi a spostarsi sul letto.
6. Sollevare la sponda laterale; vedere il punto 3.5.

Alzarsi dal letto

1. Regolare il letto nella posizione più agevole per scendere:
 - Abbassare la sezione inferiore di supporto delle gambe; vedere il punto 3.6 o 3.3.
 - Abbassare la sponda laterale; vedere il punto 3.5.
 - Servendosi del telecomando, regolare l'altezza del letto su un valore basso; vedere il punto 3.3.
2. Ruotare su sé stessi per mettersi in posizione seduta con le gambe all'esterno del letto. Utilizzare l'asta di sollevamento con la maniglia trapezoidale per aiutarsi a scendere dal letto.

4 Manutenzione

Il letto per degenti richiede una manutenzione ridotta al minimo, ma per evitare ogni problema per anni è consigliabile ispezionarlo con regolarità.

IT

4.1 Punti di manutenzione

ATTENZIONE

Rischio di danni

- Riparazioni e sostituzioni devono essere eseguite esclusivamente da personale con un'opportuna formazione e utilizzando unicamente ricambi originali Vermeiren.
- i** • L'ultima pagina di questo manuale contiene un modulo di registrazione che consente ai concessionari autorizzati di registrare ogni intervento di assistenza.
 - La frequenza dell'assistenza dipende dalla frequenza e dall'intensità dell'uso. Concordare con il proprio concessionario autorizzato un calendario comune per le attività di ispezione / manutenzione / riparazione.
 - Per trovare un centro di assistenza o un rivenditore autorizzato nella propria zona, rivolgersi alla più vicina divisione aziendale Vermeiren.

Una volta all'anno / a ogni nuovo utente

Questo letto per degenti deve essere sottoposto a un intervento di assistenza e disinfezione prima di ogni passaggio a un nuovo utente, ma comunque almeno una volta all'anno. Per maggiori informazioni, rivolgersi al proprio concessionario autorizzato.

Una volta al mese

Ispezionare visivamente con regolarità i seguenti punti:

- Tenere pulite le ruote orientabili da fili, capelli, sabbia e fibre di moquette.
- Verificare il funzionamento dei freni. Se è possibile spostare il letto mentre i freni sono inseriti, occorre esaminare ruote e freni per verificare l'eventuale presenza di usura, danni o contaminazione dovuta a olio, acqua e così via.
- Telecomando, motori elettrici, punti di collegamento e cavi: verificare l'eventuale presenza di danni quali fili elettrici sfilacciati, spezzati o divenuti esposti.
- Verificare che tutti i componenti siano fissati saldamente.
- Verificare tutti i componenti per accertarsi che non presentino danni o usura. Rivolgersi al proprio concessionario autorizzato per le riparazioni o i ricambi eventualmente necessari.

Una volta alla settimana

Pulizia:

- Rimuovere la polvere con un panno morbido o un'aspirapolvere.
- In presenza di sporcizia, liberare il letto per degenti e rimuovere il materasso. Strofinare tutti i componenti con un panno umido (non zuppo). Se necessario, utilizzare un detergente delicato, adatto per smalti e materiali sintetici.

In caso di magazzinaggio

Accertarsi che il letto venga immagazzinato in un luogo asciutto, per evitare la formazione di muffa o ruggine; vedere i dettagli riportati nel capitolo 5.

4.2 Istruzioni per la manutenzione

4.2.1 Pulizia

ATTENZIONE Rischio di danni da umidità

- Tenere puliti e proteggere dall'umidità il telecomando, i motori elettrici e i punti di collegamento.
- Tenere pulita la console di comando e proteggerla dall'acqua e dalla pioggia.
- Non pulire il letto con manichette o pulitrici ad alta pressione.

Strofinare tutti i componenti rigidi del letto con un panno umido (non zuppo). Se necessario, utilizzare un detergente delicato, adatto per smalti e materiali sintetici. È possibile pulire la selleria con acqua tiepida e un detergente delicato. Non utilizzare detersivi abrasivi per la pulizia.

4.2.2 Disinfezione

ATTENZIONE Rischio di danni

La disinfezione deve essere eseguita esclusivamente da personale con un'opportuna formazione. Consultare il proprio rivenditore specializzato.

Per pulire il letto, utilizzare un panno morbido inumidito con acqua tiepida e un disinfettante delicato per la casa.

4.3 Soluzione dei problemi di funzionamento

Anche se si utilizza il letto per degenti nel modo corretto, non è possibile escludere la possibilità che si verifichi un problema tecnico. In tal caso, rivolgersi al concessionario autorizzato della propria zona.



ATTENZIONE

Rischio di lesioni e di danni al letto per degenti

- **NON** riparare MAI personalmente il letto per degenti nel tentativo di risolvere il problema.

I sintomi elencati di seguito possono indicare un problema. Rivolgersi pertanto sempre al proprio concessionario autorizzato se si rileva una qualunque delle seguenti anomalie:

- Rumori strani;
- Cavi di alimentazione sfilacciati/danneggiati;
- Connettori incrinati o spezzati;
- Movimenti a scatti delle sezioni del telaio;
- Ruote orientabili danneggiate o rotte;
- Mancato funzionamento del telecomando malgrado il letto per degenti sia alimentato.

4.4 Durata prevista

Il letto ha una durata media prevista di 5 anni. Tale valore aumenta o diminuisce a seconda della frequenza di utilizzo e della manutenzione.

4.5 Utilizzi successivi

Prima di ogni utilizzo successivo, fare disinfettare, ispezionare e sottoporre a manutenzione il letto secondo le istruzioni dei §4.1 e §4.2 .

4.6 Fine vita

A fine vita, occorre smaltire il letto per degenti conformemente alla legislazione ambientale locale. Il modo migliore per farlo consiste nello smontare il letto per degenti per agevolare il trasporto dei componenti riciclabili.

5 Specifiche tecniche

I dettagli tecnici riportati di seguito sono validi soltanto per il letto per degenti oggetto del manuale, con le impostazioni standard e in condizioni ambiente ottimali. Durante l'uso, tenere conto di questi dati di dettaglio.

I valori indicati non sono più validi se il letto per degenti ha subito modifiche o danni, oppure presenta un livello elevato di usura.

Tabella 1: Specifiche tecniche

Produttore	Vermeiren
Tipo	Letto
Modello	Club
Peso massimo dell'occupante	165 kg

Descrizione	Min.	Max.
Lunghezza	Club: 2125 mm Club VARIO, Club UL: 2175 mm	
Larghezza	Club: 1005 mm Club VARIO, Club UL: 1037 mm	
Altezza (senza staffa di sollevamento)	Club, Club VARIO: 834 - 1262 mm Club UL: 725 – 1135 mm	
Altezza (con staffa di sollevamento)	Club, Club VARIO: 1710 - 2120 mm Club UL: 1605 – 2015 mm	
Superficie d'appoggio regolabile in altezza (posizione 1)	Club: 350 mm (senza materasso) Club VARIO: 335 mm (senza materasso) Club UL: 215 mm	Club: 760 mm (senza materasso) Club VARIO: 745 mm (senza materasso) Club UL: 625 mm
Superficie d'appoggio regolabile in altezza (posizione 2)	Club VARIO: 400 mm (senza materasso)	Club VARIO: 810 mm (senza materasso)
Lunghezza ripiegata	441 mm	
Larghezza ripiegata	1037 mm	
Altezza ripiegata	1352 mm	
Peso totale	Club: 60,8 kg Club VARIO: 62 kg Club UL: 73,5 kg	
Regolazione massima dello schienale	69°	
Regolazione massima delle montante superiore	20,7°	
Regolazione massima delle montante inferiore	-16,5°	
Angolo anti-Trendelenburg	10,6°	
Angolo massimo dello schienale *	80,5°	
Angolo massimo montante superiore *	20,7°	
Angolo massimo montante inferiore *	-28,5°	
Carico max di lavoro in condizioni di sicurezza **	200 kg	
Staffa di sollevamento	Carico nominale 80 kg	
Materasso	Min. RG 35, 120 mm spessore, 2000 x 900 mm, max. 20 kg	
Spazio libero per sollevatore paziente	Club, Club Vario: 150 mm Club UL: 30 mm	

Ruote pivotanti (n. 4)	Ø 100 mm, bloccabili	
Motore parte frontale	LA24090405E001B4, Linak	
Motore sezione posteriore (schienale)	LA24050110G00134, Linak	
Motore sezione anteriore (gambe)	LA24060060G001B4, Linak	
Comando manuale	HLW074-029, Linak	
Trasformatore	CA2+06473N090A0, Linak	
Tensione nominale, trasformatore	U in: 230 V~, ± 10%, 50 Hz, I in: max. 1.5 A, U out: 24V ---, max. 3,5 A	
Durata di funzionamento	10%, max. 2 min / 18min	
Pressione acustica	< 65 dB (A)	
Classe / tipo di protezione	Classe di protezione II, Categoria d'impiego tipo B / IPX4 (protetta contro lo stillicidio)	
Temperatura per utilizzo e conservazione	+ 5 °C	+ 41 °C
Umidità per utilizzo e conservazione	30%	70%
<p>La casa produttrice si riserva il diritto di apportare modifiche tecniche. Tolleranza misurazioni ± 15 mm / 1,5 kg / 1,5° .</p> <p>* Misurato secondo la norma IEC 60601-2-52, con un piano di riferimento orizzontale, eventualmente in combinazione con la posizione anti-Trendelenburg</p> <p>** Carico massimo di esercizio in sicurezza = massa dell'utente + massa del materasso + massa degli altri accessori</p>		

Índice

Índice	1
Introducción	2
1 Su producto	3
2 Antes de su uso	4
2.1 Uso previsto	4
2.2 Instrucciones generales de seguridad	4
2.3 Símbolos en la cama de cuidados	5
3 Utilización de la cama de cuidados	6
3.1 Montaje/desmontaje, transporte y almacenamiento	6
3.2 Instalación	6
3.3 Utilización del mando	6
3.4 Uso de las ruedas de dirección	7
3.5 Funcionamiento de las barandillas (opcional)	8
3.6 Ajuste manual de la sección de piernas (opcional)	9
3.7 Traslado a/desde la cama	9
4 Mantenimiento	10
4.1 Puntos de mantenimiento	10
4.2 Instrucciones de mantenimiento	10
4.3 Resolución de problemas	11
4.4 Vida útil prevista	11
4.5 Reutilizar	11
4.6 Fin de vida útil	11
5 Especificaciones técnicas	12

Introducción

¡Felicidades! Es usted el propietario de una cama de cuidados Vermeiren.

Esta cama de cuidados ha sido fabricada por personal experto y cualificado. Se ha diseñado y fabricado según los más altos estándares de calidad, implementados por Vermeiren.

Le agradecemos su confianza en los productos Vermeiren. Le ofrecemos este manual para ayudarle en la utilización de su cama de cuidados y sus opciones de manejo. Léalo detenidamente. Le ayudará a familiarizarse con el manejo, las capacidades y limitaciones de su cama de cuidados.

Si todavía tiene alguna duda después de leer este manual, contacte con su distribuidor especializado estará encantado de ayudarle.

Nota importante:

Para garantizar su seguridad y prolongar la vida útil de su producto, cuídalo bien y asegúrese de realizar revisiones y mantenimientos de manera regular.

Este manual refleja los desarrollos más recientes del producto. Vermeiren se reserva el derecho a implementar cambios en este tipo de producto sin que ello suponga obligación alguna de adaptar o cambiar productos similares previamente entregados.

Se usan las ilustraciones para aclarar las instrucciones del presente manual. Los detalles del producto representado pueden desviarse de su producto.

Información disponible

En nuestro sitio web <http://www.vermeiren.com/> siempre encontrará la versión más reciente de la siguiente información. Consulte este sitio web de manera regular para estar al tanto de posibles actualizaciones.

Las personas con discapacidad visual pueden descargarse la versión electrónica del manual y utilizar un software de síntesis de voz para poder oír su contenido.



- El presente manual
Para el usuario y el distribuidor especializado



- Manual de instalación (Instrucciones de montaje y desmontaje)
Para el distribuidor especializado

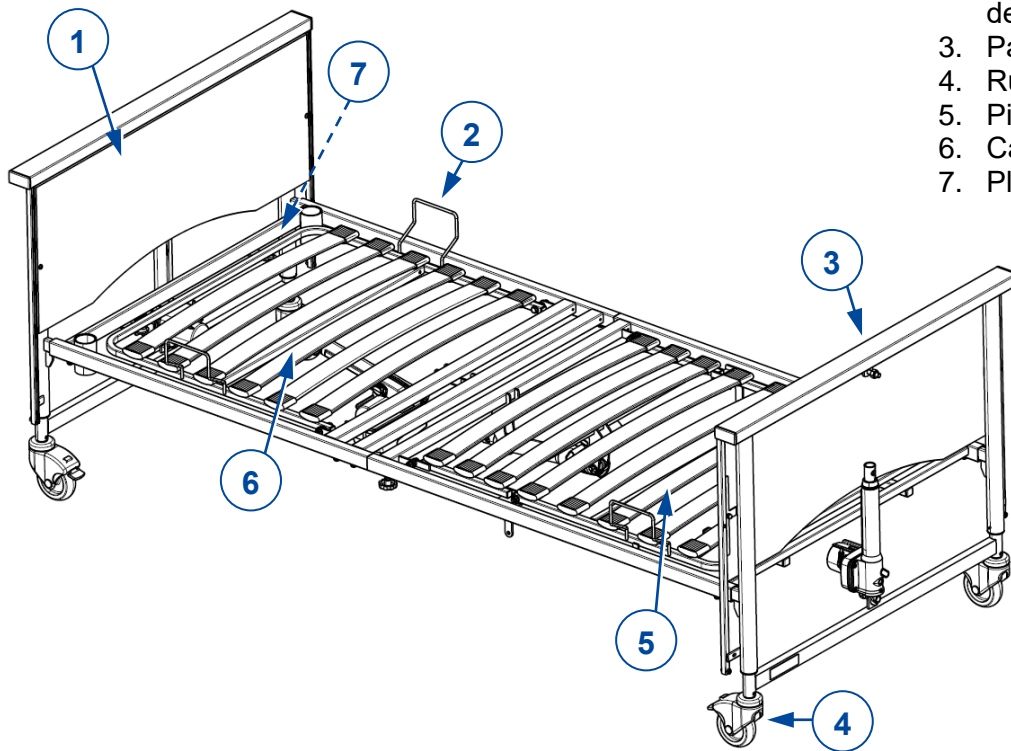


- Manual de mantenimiento (Camas)
Para el distribuidor especializado



- Declaración CE de conformidad
Para el usuario y el distribuidor especializado

1 Su producto



1. Panel de cabecera
2. Dispositivo de retención del colchón
3. Panel de pies
4. Rueda
5. Pies
6. Cabecera
7. Placa de identificación

2 Antes de su uso

2.1 Uso previsto

Este párrafo describe brevemente el uso previsto de la cama de cuidados. También se incluyen avisos pertinentes a las instrucciones en otros párrafos. De esta manera se pretende avisar al usuario de un eventual mal uso del aparato.

- Esta cama de cuidados está clasificada como un producto de clase B y sólo es apta para su uso en interior.
- Esta cama de cuidados está diseñada y fabricada exclusivamente para transportar a una (1) persona con un peso máximo de 165kg.
- La cama de cuidados está diseñada para su uso en atención domiciliaria de acuerdo con el estándar IEC 60601-2-52, entorno de aplicación 4.
- Utilizar sólo un colchón adecuado para esta cama, véase el capítulo 5 para más información.
- Utilizar sólo accesorios y piezas de repuesto aprobadas por Vermeiren.
- La garantía de este producto se basa en el uso y mantenimiento normales descritos en este manual. La garantía se invalida si el producto sufre cualquier daño causado por un uso indebido o falta de mantenimiento.

2.2 Instrucciones generales de seguridad

 AVISO Riesgo de lesiones y daños

No haga ninguna modificación en la cama sin la aprobación del fabricante.

 PRECAUCIÓN Riesgo de lesiones y daños

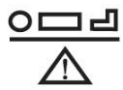
Seguir las instrucciones contenidas en este manual y cumplir las directivas de seguridad. De no seguir las, puede acabar lesionando a otras personas o a sí mismo, o acabar rompiendo la cama de cuidados.

- Utilizar la cama solo en suelos planos, nivelados y sólidos con las cuatro ruedas tocando el suelo.
- Cuando se deje al paciente desatendido en la cama, déjelo en la posición más baja posible.
- No exceder la carga máxima indicada en el capítulo 5.
- NO utilizar la cama como medio de transporte, escalera o espacio de almacenamiento de objetos pesados o calientes.
- El fabricante no asumirá ninguna responsabilidad por daños causados por falta de mantenimiento o mantenimiento inadecuado o por no haber seguido las instrucciones de este manual.
- La compatibilidad electromagnética de esta cama ha sido probada y cumple con los estándares. A pesar de esta compatibilidad, puede que el funcionamiento se vea afectado por campos electromagnéticos, como los de teléfonos móviles, generadores eléctricos o fuentes de energía de alta tensión.
- Cabe la posibilidad de que los dispositivos electrónicos de la cama influyan sobre otros dispositivos electrónicos. Por tanto, se recomienda comprobar que la cama no tenga daños o desgaste, véase el capítulo 4.
- No añadir ningún dispositivo mecánico o electrónico a la cama.
- Asegurarse de que no quede atrapado ningún objeto o cables entre las piezas móviles de la cama durante su manejo. Asegúrese de que el cable de alimentación no se dañe por piezas móviles o bordes afilados, o por ser aplastado bajo las ruedas.

En caso de que se produzca un incidente grave con su producto, notifique a Vermeiren o a su distribuidor especializado, así como a la autoridad competente de su país.

2.3 Símbolos en la cama de cuidados

Los símbolos de la siguiente lista son aplicables a su cama de cuidados. Los símbolos que faltan se encuentran en la norma ISO pertinente (ISO 7000, ISO 7001 y IEC 417).



Peso máximo del usuario (en kg)



Carga máxima de utilización segura (en kg)



Grosor máximo del colchón (en mm)



Dimensiones del colchón (en cm)



Tipo de modelo



Riesgo de aprisionamiento

3 Utilización de la cama de cuidados

3.1 Montaje/desmontaje, transporte y almacenamiento

La cama la montará el distribuidor especializado siguiendo las instrucciones en el manual de instalación.

En caso del transporte, todas las piezas son recogidas con un carro de transporte. Fijar bien el carro de transporte y las piezas de la cama al vehículo para que no se muevan durante el transporte.

Si no se está utilizando la cama, almacenarla en un lugar seco, véase el capítulo 5 para más detalles.

3.2 Instalación

PRECAUCIÓN Riesgo de lesiones y daños

- Asegurarse de que la cama se mueve sin nadie en ella.
1. Si todavía no está montada, montar la cama siguiendo las instrucciones del manual de instalación.
 2. Si la cama está siendo utilizada, asegúrese de que todas las mantas y sábanas estén entre las barandillas laterales.
 3. Desconectar el cable de alimentación de la toma de corriente y colocar el extremo del cable encima de la cama.
 4. Soltar todos los frenos de las ruedas pivotantes, véase 3.4.
 5. Mover la cama vacía al sitio deseado.
 6. Una vez en la posición deseada, aplicar los cuatro frenos, véase 3.4.
 7. Conectar el cable de alimentación de la cama a una toma de corriente de 220/230 V CA.

3.3 Utilización del mando

 **PRECAUCIÓN** Riesgo de lesiones

- Para garantizar un uso seguro de la cama, SOLO el personal médico autorizado tiene permiso para cambiar el modo de funcionamiento mediante el llavero.

La cama se suministra con un mando para manejar las piezas móviles. El mando tiene dos modos de funcionamiento: funcionamiento normal por el paciente, y funcionamiento por personal médico formado y autorizado. En este último, el mando solo puede utilizarse mediante un llavero que debe operar el personal médico formado.

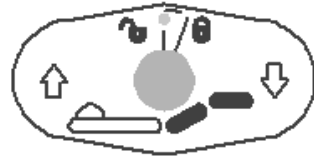
3.3.1 Utilización por el paciente

- i** Es posible que algunos de los botones no reaccionen al pulsarlos. En tal caso, están bloqueados para el uso exclusivo por personal médico de acuerdo con su estado de salud.

En el mando pueden utilizarse los siguientes botones. Pulsar y mantener pulsado el botón correspondiente hasta alcanzar la posición deseada. Para detener el movimiento, soltar el botón.



SUBIR / BAJAR sección dorsal



SUBIR / BAJAR rodillas



SUBIR / BAJAR somier



Sistema de bloqueo de posición de Trendelenburg

3.3.2 Función de bloqueo (solo para personal médico)

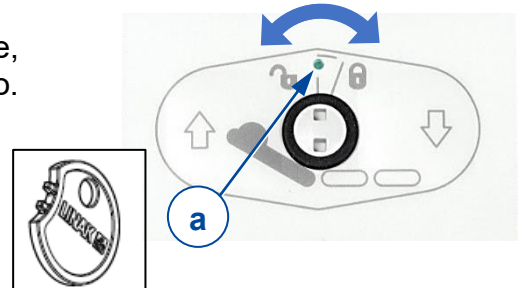
Para evitar movimientos involuntarios por parte del paciente, los botones del mando pueden bloquearse usando un llavero.

Para bloquear/desbloquear, el pequeño botón entre dos botones debe ser girado con la llave.

El indicador (a) en el centro de la llave se vuelve

- verde cuando el botón está bloqueado y
- amarillo cuando el botón está desbloqueado.

DESBLOQUEADO BLOQUEADO



3.4 Uso de las ruedas de dirección



PRECAUCIÓN

Riesgo de lesiones

- Las cuatro ruedas pivotantes deben bloquearse antes de usar la cama de cuidados. Si solo se aplica un freno, la cama aún puede moverse.

i El funcionamiento correcto de las ruedas pivotantes depende del desgaste y la suciedad (agua, aceite...). Comprobar el estado de las ruedas antes de cada uso.

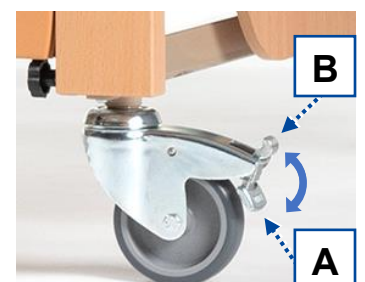
Los frenos de todas las ruedas pueden bloquearse para evitar el desplazamiento involuntario.

Sujeción (A)

Presione la superficie de la palanca de inclinación hacia abajo con el pie, hasta que frene la rueda.

Liberación (B)

Levante la superficie de la palanca de inclinación con el pie hasta que se suelte la rueda.

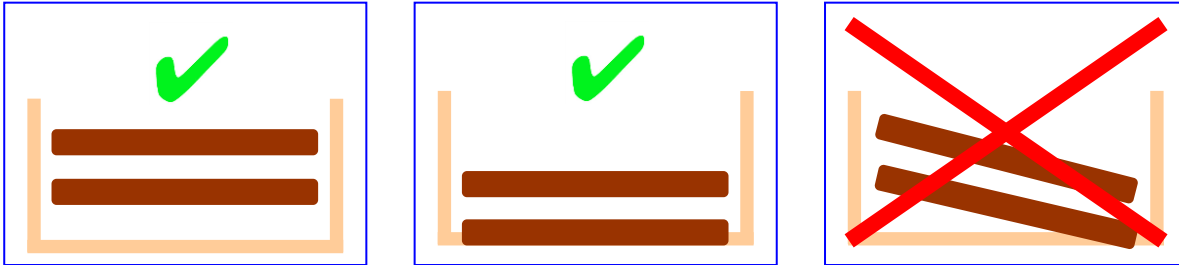


3.5 Funcionamiento de las barandillas (opcional)

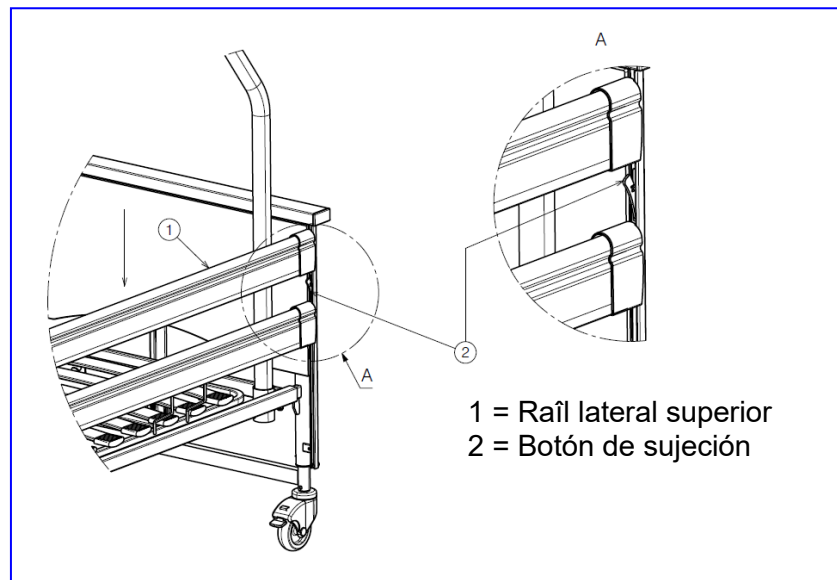
3.5.1 Barandillas de madera

Asegúrese de que las funciones de la cama no se vean afectadas al subir o bajar las barandillas laterales.

ES

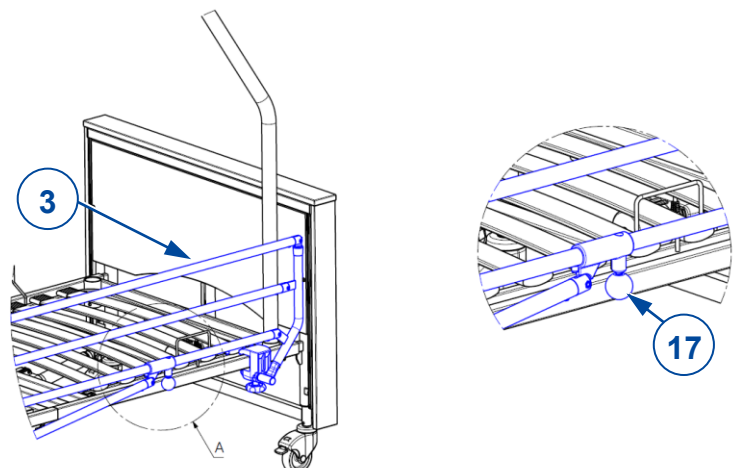


1. Levante el listón del lado superior con cuidado.
2. Mantenga presionada la perilla de detención de la guía de la baranda lateral y baje la baranda lateral lentamente. Sujete siempre únicamente la banda de Madera superior.



3.5.2 Barandillas de metal (no para el Club UL)

- Plegar la barandilla lateral (3): tirar del pomo negro (17) para desbloquear la barandilla lateral y plegarla.
- Desplegar la barandilla lateral (3): tirar de la barandilla hacia arriba hasta que se bloquee.



3.5.3 Barandillas partidas (no para el Club UL)

- Plegar la barandilla lateral (4): tire del pomo (20) para desbloquear la barandilla lateral y plegarla. Si es necesario, repita para la segunda barandilla partida en el mismo lado.
- Desplegar la barandilla lateral (4): tirar de la barandilla hacia arriba hasta que se bloquee.



3.6 Ajuste manual de la sección de piernas (opcional)

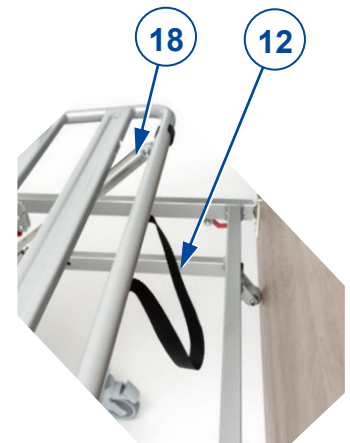
**PRECAUCIÓN**

Riesgo de lesiones por atrapamiento o daños a la cama

- Asegurarse de que ningún objeto o persona se quede atrapado entre las piezas móviles.
- Utilizar la cinta (12) sólo en el extremo de los pies para ajustar la altura de la sección de piernas.

Levantamiento de piernas/piés

1. Para ajustar la altura de los pies y las piernas, agarrar la cinta por el extremo de los pies de la cama.
2. Tirar de la cinta para levantar la sección de piernas del somier a la altura deseada. Cuando se deja de tirar, el sistema se queda bloqueado en una muesca de la rastomat (18).



Descenso de piernas/piés

1. para descender, tirar hacia arriba de la cinta hasta llegar al punto más alto para desbloquear la rastomat (18).
2. Sujetar la cinta y mover la sección de piernas hacia abajo lentamente.

3.7 Traslado a/desde la cama

**PRECAUCIÓN**

Riesgo de caída

- En caso de que no pueda hacer el traslado de manera segura, pídale ayuda a alguien.

Acostarse en la cama

1. Comprobar que los frenos de las ruedas pivotantes están aplicados, véase 3.4.
2. Ajustar la altura de la cama con el mando, véase 3.3.
3. Bajar la barandilla lateral, véase 3.5.
4. Posicionarse lo más cerca posible del borde de la cama.
5. Pasar a la cama. Utilizar la vara de levantamiento con asa trapezoidal como medio de ayuda para moverse en la cama.
6. Levantar la barandilla lateral, véase 3.5.

Levantarse de la cama

1. Ajustar la cama a la posición más cómoda para salir de la cama:
 - Bajar la sección de las pantorrillas, véase 3.6 o 3.3.
 - Bajar la barandilla lateral, véase 3.5.
 - Ajustar la altura de la cama con el mando a una posición baja, véase 3.3.
2. Colocarse en posición sentada con las piernas fuera de la cama. Utilizar la vara de levantamiento con asa trapezoidal como medio de ayuda para salir de la cama.

4 Mantenimiento

La cama de cuidados requiere un mantenimiento mínimo, pero se aconseja inspeccionarla regularmente para una utilización libre de problemas durante años.

4.1 Puntos de mantenimiento

PRECAUCIÓN

Riesgo de daños

- Cualquier reparación o cambios sólo pueden llevarse a cabo por personal debidamente cualificado y sólo pueden utilizarse piezas de recambio Vermeiren originales.
- i** • La última página de este manual contiene un formulario de registro para que el distribuidor especializado pueda registrar cada mantenimiento.
- La frecuencia de los mantenimientos depende de la frecuencia e intensidad de uso. Póngase en contacto con su distribuidor especializado para acordar un horario común para realizar inspecciones, mantenimientos y reparaciones.
- Póngase en contacto con el centro Vermeiren más cercano para encontrar un punto de servicio o distribuidor especializado en su zona.

Una vez al año/ por cada nuevo usuario

La cama de cuidados debe pasar por mantenimiento y desinfección antes de ser usada por un nuevo usuario, o por lo menos una vez año. Póngase en contacto con su distribuidor especializado para más información.

Una vez al mes

Inspeccionar visualmente los siguientes puntos de manera regular:

- Mantener las ruedas pivotantes libres de cables, pelos, arena y fibras de alfombras.
- Comprobar el funcionamiento de los frenos. Si la cama puede moverse mientras están aplicados los frenos, deben comprobarse las ruedas y los frenos para detectar desgastes, daños o residuos como aceite, agua...
- El mando, los motores, los puntos de conexión y los cables: comprobar que no haya daños como cables eléctricos deshilachados, rotos o expuestos.
- Comprobar que todas las piezas estén bien fijadas.
- Comprobar que ninguna de las piezas esté dañada o averiada. Póngase en contacto con su distribuidor especializado para posibles reparaciones o cambio de piezas.

Una vez a la semana

Limpieza:

- Utilizar un paño suave o una aspiradora para quitar el polvo.
- En caso de que haya suciedad, vaciar la cama de cuidados y quitar el colchón. Limpiar todas las piezas con un paño húmedo (no empapado). Si fuera necesario, utilizar un jabón suave que sea apto para limpiar superficies barnizadas y sintéticas.

Si está almacenado

Asegurarse de que la cama se almacene en un lugar seco para evitar la formación de moho u óxido, véase más información en el capítulo 5.

4.2 Instrucciones de mantenimiento

4.2.1 Limpieza

PRECAUCIÓN

Riesgo de daños por humedad

- Mantener el mando, los motores y los puntos de conexión limpios y protegerlos contra la humedad.
- Mantener el panel de control limpio y protegerlo del agua y la lluvia.
- No utilizar nunca una manguera o un limpiador a alta presión para limpiar la cama.

Limpiar todas las piezas rígidas de la cama con un paño húmedo (no empapado). Si fuera necesario, utilizar un jabón suave que sea apto para limpiar superficies barnizadas y sintéticas. La tapicería puede limpiarse con agua templada y jabón suave. No utilizar productos de limpieza abrasivos.

4.2.2 Desinfección

PRECAUCIÓN

Riesgo de daños

La desinfección sólo puede llevarla a cabo personal debidamente cualificado. Consulte con su distribuidor especializado al respecto.

Utilizar un paño limpio y húmedo y agua templada con desinfectante doméstico suave para limpiar la cama.

4.3 Resolución de problemas

Aunque se utilice la cama de cuidados de la manera indicada, también pueden surgir a veces problemas técnicos. En ese caso, póngase en contacto con su distribuidor especializado.



PRECAUCIÓN

Riesgo de lesiones y daños a la cama de cuidados

- No intente NUNCA reparar problemas con la cama de cuidados por su cuenta.

Los siguientes síntomas pueden significar un problema. Se recomienda, por tanto, ponerse siempre en contacto con su distribuidor especializado si nota los siguientes problemas:

- Ruidos extraños;
- Cables de alimentación deshilachados/dañados;
- Conectores agrietados o rotos;
- Movimientos bruscos de las secciones del bastidor;
- Ruedas pivotantes dañadas o rotas;
- La cama de cuidados está conectada a la toma de corriente, pero el mando no funciona.

4.4 Vida útil prevista

La vida útil media de la cama es de 5 años. La vida útil aumentará o disminuirá dependiendo de la frecuencia de uso y el mantenimiento.

4.5 Reutilizar

Antes de reutilizar la cama, desinfectarla, inspeccionarla y hacer que pase por un mantenimiento según las instrucciones en el §4.1 y el §4.2.

4.6 Fin de vida útil

Al final de la vida útil, deberá desechar la cama de cuidados siguiendo las leyes medioambientales de su localidad. Para transportar materiales reciclables de la cama de cuidados de manera más cómoda, se recomienda desmontarla primero.

5 Especificaciones técnicas

Los datos técnicos expuestos a continuación son sólo válidos para esta cama de cuidados, con configuración estándar y en condiciones ambientales óptimas. Tener en cuenta estos datos durante la utilización del scooter.

Los valores aquí expuestos dejarán de ser aplicables si la cama de cuidados ha sido modificada, se ha dañado, o sufre de un desgaste intenso.

Tabla 1: Especificaciones técnicas

Fabricante	Vermeiren
Tipo	Cama
Modelo	Club
Peso máximo del ocupante	165 kg

Descripción	Mín.	Máx.
Longitud	Club: 2125 mm Club VARIO, Club UL: 2175 mm	
Anchura	Club: 1005 mm Club VARIO, Club UL: 1037 mm	
Altura (sin poste de elevación)	Club, Club VARIO: 834 - 1262 mm Club UL: 725 – 1135 mm	
Altura (con poste de elevación)	Club, Club VARIO: 1710 - 2120 mm Club UL: 1605 – 2015 mm	
Ajuste de la altura de la superficie de la cama (posición 1)	Club: 350 mm (sin colchón) Club VARIO: 335 mm (sin colchón) Club UL: 215 mm	Club: 760 mm (sin colchón) Club VARIO: 745 mm (sin colchón) Club UL: 625 mm
Ajuste de la altura de la superficie de la cama (posición 2)	Club VARIO: 400 mm (sin colchón)	Club VARIO: 810 mm (sin colchón)
Longitud plegada	441 mm	
Anchura plegada	1037 mm	
Altura plegada	1352 mm	
Peso total	Club: 60,8 kg Club VARIO: 62 kg Club UL: 73,5 kg	
Ajuste máximo de la sección del respaldo	69°	
Ajuste máximo del muslo	20,7°	
Ajuste máximo de la parte inferior de la pierna	-16,5°	
Ángulo anti-Trendelenburg	10,6°	
Máximo ángulo en la sección del respaldo *	80,5°	
Máximo ángulo en el muslo *	20,7°	
Máximo ángulo en la parte inferior de la pierna *	-28,5°	
Carga máx. segura **	200 kg	
Barra de levantamiento	Carga nominal 80 kg	
Colchón	Mín. RG 35, grosor 120 mm, 2000 x 900 mm, máx. 20 kg	
Espacio libre para el elevador del paciente	Club, Club Vario: 150 mm Club UL: 30 mm	



Ruedecillas de dirección (4 unidades)	Ø 100 mm, se pueden bloquear	
Parte delantera del motor	LA24090405E001B4, Linak	
Motor de la sección del respaldo	LA24050110G00134, Linak	
Motor de la sección de las patas	LA24060060G001B4, Linak	
Auricular	HLW074-029, Linak	
Transformador	CA2+06473N090A0, Linak	
Tensión nominal, transformador	U entrada: 230 V~, ± 10%, 50 Hz, corriente más. 1.5 A, voltaje de salida: 24V ---, 3,5 A	
Período de encendido	10%, máx. 2 min / 18min	
Nivel de ruido	< 65 dB (A)	
Clase de protección	Clase de protección II, aplicación tipo B / IPX4 (protección contra salpicaduras)	
Temperatura de almacenamiento y de uso	+ 5 °C	+ 41 °C
Humedad de almacenamiento y de uso	30%	70%
Nos reservamos el derecho a aplicar modificaciones técnicas. Tolerancia de la medida ± 15 mm / 1,5 kg / 1,5° .		
* Medido según IEC 60601-2-52, con un plano de referencia horizontal, posiblemente en combinación con la posición anti-Trendelenburg		
** Carga máx. segura= peso del usuario + peso colchón + peso otros accesorios		



Spis treści

Spis treści	1
Wstęp	2
1 Twój produkt	3
2 Przed użyciem	4
2.1 Przewidziane zastosowanie	4
2.2 Ogólne instrukcje bezpieczeństwa	4
2.3 Symbole na łóżku pielęgnacyjnym	5
3 Eksploatacja łóżka pielęgnacyjnego	6
3.1 Montaż/demontaż, transport i przechowywanie	6
3.2 Instalacja	6
3.3 Korzystanie z manipulatora	6
3.4 Obsługa kółek jezdnych	7
3.6 Ręczne ustawianie sekcji nóg (opcjonalnie).....	9
3.7 Przenoszenie się na łóżko/z łóżka	9
4 Konserwacja	10
4.1 Punkty poddawane konserwacji	10
4.2 Instrukcje konserwacji	11
4.3 Diagnozowanie i rozwiązywanie problemów	11
4.4 Oczekiwany okres użytkowania	11
4.5 Ponowne użycie	11
4.1 Koniec użytkowania	11
5 Parametry techniczne	12

Wstęp

Gratulacje! Jesteś teraz właścicielem łóżka pielęgnacyjnego Vermeiren!

Łóżko pielęgnacyjne zbudował zespół złożony z wykwalifikowanych i zaangażowanych pracowników. Zaprojektowano je i wyprodukowano zgodnie z wysokimi standardami jakości, jakich przestrzega Vermeiren.

PL Dziękujemy za zaufanie firmie Vermeiren i jej produktom. Niniejsza instrukcja pomoże właścicielowi w eksploatacji łóżka i korzystaniu z jego opcji. Prosimy o uważne przeczytanie instrukcji obsługi. Pozwoli ona na zapoznanie się z działaniem, możliwościami i ograniczeniami łóżka.

W razie pytań, na które odpowiedzi nie ma w instrukcji, prosimy o kontakt z Państwa wyspecjalizowanym sprzedawcą. Sprzedawca chętnie służy pomocą w tym zakresie.

Ważna uwaga

Aby zapewnić bezpieczeństwo i wydłużyć okres użytkowania produktu, prosimy o dbanie o niego oraz regularne dokonywanie przeglądów i serwisowanie.

Instrukcja obejmuje najnowsze rozwiązania zastosowane w produkcji. Firma Vermeiren ma prawo do wprowadzania zmian w produktach tego typu bez obowiązku adaptowania lub wymiany podobnych, poprzednio dostarczonych produktów.

Zdjęcia mają na celu ułatwienie zrozumienia opisu instrukcji. Państwa produkt może nieznacznie różnić się od przedstawionego na zdjęciach.

Dostępne informacje

W naszej witrynie internetowej <http://www.vermeiren.com/> zawsze znajduje się najnowsza wersja następujących informacji. Prosimy regularnie odwiedzać witrynę, ponieważ możemy na niej zamieszczać zaktualizowane informacje.

Osoby z zaburzeniami wzroku mogą pobrać elektroniczną wersję niniejszej instrukcji i odsłuchać ją przy użyciu oprogramowania zamieniającego tekst na mowę.



- Niniejsza instrukcja
Dla użytkownika i wyspecjalizowanego sprzedawcy



- Instrukcja instalacji (instrukcja montażu i demontażu)
Dla wyspecjalizowanego sprzedawcy



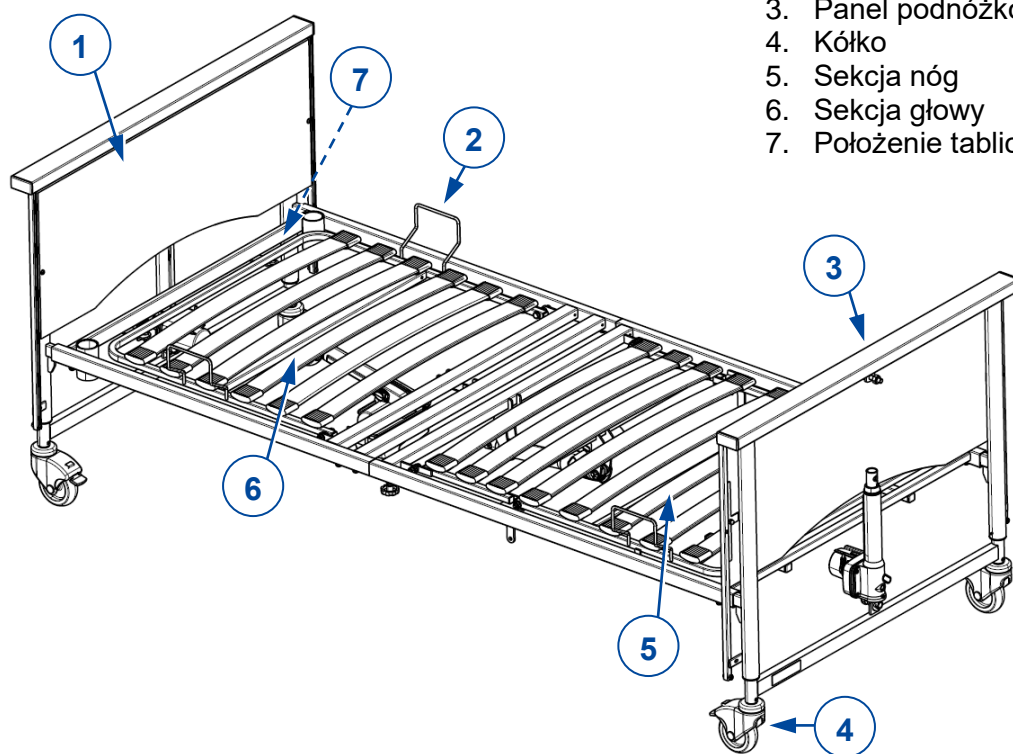
- Instrukcja serwisowa (Łóżka)
Dla wyspecjalizowanego sprzedawcy



- Deklaracja zgodności WE
Dla użytkownika i wyspecjalizowanego sprzedawcy

1 Twój produkt

1. Panel zagłówkowy
2. Element ustalający położenie materaca
3. Panel podnóżkowy
4. Kółko
5. Sekcja nóg
6. Sekcja głowy
7. Położenie tabliczki identyfikacyjnej



2 Przed użyciem

2.1 Przewidziane zastosowanie

W niniejszej sekcji przedstawiono krótki opis przewidzianego zastosowania łóżka pielęgnacyjnego. W pozostałych sekcjach instrukcje zostały opatrzone istotnymi ostrzeżeniami. W ten sposób chcemy zwrócić uwagę użytkowników na możliwość nieprawidłowej eksploatacji produktu.

- Łóżko pielęgnacyjne jest zaklasyfikowane jako produkt elektryczny klasy II i jest przeznaczone wyłącznie do użytku w pomieszczeniach.
- Łóżko pielęgnacyjne jest zaprojektowane i produkowane jako miejsce do ułożenia wyłącznie jednej (1) osoby ważącej maksymalnie 165 kg.
- Łóżko pielęgnacyjne jest przeznaczone do opieki domowej zgodnie z normą IEC 60601-2-52, środowisko zastosowania 4.
- Z łóżkiem należy używać tylko odpowiedniego materaca, szczegóły – patrz rozdział 5.
- Używać wyłącznie akcesoriów i części zapasowych zatwierdzonych przez Vermeiren.
- Gwarancja na produkt jest udzielona przy założeniu normalnego użytkowania i konserwacji, opisanych w niniejszej instrukcji. Uszkodzenie produktu spowodowane nieprawidłową eksploatacją lub brakiem konserwacji spowoduje unieważnienie gwarancji.

2.2 Ogólne instrukcje bezpieczeństwa

**OSTRZEŻENIE**

Ryzyko obrażeń i/lub uszkodzeń

Nie należy dokonywać żadnych zmian w łóżku bez zgody producenta

**PRZESTROGA**

Ryzyko obrażeń i/lub uszkodzeń

Należy przestrzegać wskazań w niniejszej instrukcji oraz wytycznych w zakresie bezpieczeństwa. Niestosowanie się do tych zaleceń może spowodować uraz u pacjenta i osób postronnych lub uszkodzenie łóżka pielęgnacyjnego.

- Używać łóżka wyłącznie na płaskich, poziomych, stabilnych podłogach, wszystkie cztery kółka muszą dotykać ziemi.
- Gdy pacjent jest pozostawiony w łóżku bez opieki, należy pozostawić je w najniższej możliwej pozycji.
- Nie przekraczać maksymalnego obciążenia wskazanego w rozdziale 5.
- **NIE UŻYWAĆ** łóżka jako środka transportu, podpory/schodka ani miejsca do przechowywania ciężkich lub gorących przedmiotów.
- Producent nie ponosi odpowiedzialności za uszkodzenia spowodowane nieprawidłowym serwisowaniem lub brakiem serwisowania, a także wynikające z nieprzestrzegania niniejszej instrukcji obsługi.
- Łóżko zostało przetestowane pod kątem kompatybilności elektromagnetycznej. Zgodność z normą została potwierdzona. Niemniej jednak, mimo zachowania kompatybilności, istnieje możliwość, że działanie łóżka zostanie zakłócone przez pola elektromagnetyczne emitowane przez urządzenia takie, jak telefony komórkowe, agregaty prądotwórcze lub źródła energii wielkiej mocy.
- Istnieje możliwość, że elektronika łóżka spowoduje zakłócenia innych urządzeń elektronicznych. Dlatego zalecamy, aby kontrolować łóżko pod kątem uszkodzeń i zużycia, patrz rozdział 4.
- Nie rozbudowywać łóżka o żadne urządzenia mechaniczne ani elektryczne.
- Upewnić się, że podczas eksploatacji łóżka między jego ruchomymi częściami nie zakleszczyły się żadne przedmioty lub przewody. Należy upewnić się, że przewód zasilający nie zostanie uszkodzony przez ruchome części lub ostre krawędzie, ani przez zgniecie pod kołami.

W przypadku wystąpienia poważnego incydentu z udziałem produktu, należy powiadomić firmę Vermeiren lub specjalistycznego sprzedawcę, jak również właściwe władze w swoim kraju.

2.3 Symbole na łóżku pielęgnacyjnym

Do łóżka pielęgnacyjnego mają zastosowanie symbole z następującej listy. Brakujące symbole można znaleźć w odnośnych normach ISO (ISO 7000, ISO 7001 i IEC 417).



Maksymalna masa użytkownika (w kg)



Maksymalne bezpieczne obciążenie robocze (w kg)



Maksymalna grubość materaca (w mm)



Wymiary materaca (w cm)



Oznaczenie typu



Ryzyko przycięcia

3 Eksploatacja łożka pielęgnacyjnego

3.1 Montaż/demontaż, transport i przechowywanie

Montażem łożka zajmuje się wyspecjalizowany sprzedawca, kierując się informacjami informacjami zamieszczonymi w instrukcji instalacji.

Do celów transportu wszystkie części są umieszczone na wózku transportowym. Mocno i dokładnie przymocować wózek transportowy i części łożka do pojazdu, aby podczas transportu się nie poruszały.

Nie używane łożko przechowywać w suchym miejscu, szczegóły – patrz rozdział 5.

3.2 Instalacja

PRZESTROGA

Ryzyko obrażeń i uszkodzeń

- Upewnić się, że łożko jest przesuwane puste, bez leżącego na nim pacjenta.
 1. Jeśli łożko nie jest zmontowane, zmontować je zgodnie z instrukcją instalacji.
 2. Jeśli łożko jest używane, upewnić się, że wszystkie prześcieradła, poszewki itp. nie wychodzą poza poręcze boczne.
 3. Odłączyć kabel zasilania od gniazdka, koniec kabla położyć na łożku.
 4. Zwolnić hamulce wszystkich czterech kół samonastawnych, patrz 3.4.
 5. Przetoczyć puste łożko na miejsce docelowe.
 6. Po ustawieniu łożka zacisnąć wszystkie cztery hamulce, patrz 3.4.
 7. Podłączyć kabel zasilania łożka do gniazda zasilania 220/230 V AC.

3.3 Korzystanie z manipulatora



PRZESTROGA

Ryzyko odniesienia obrażeń

- Aby zapewnić bezpieczną obsługę łożka, WYŁĄCZNIE upoważniony personel medyczny może zmieniać tryb pracy przy użyciu breloka.

Łóżko jest dostarczane z manipulatorem służącym do obsługi ruchomych części. Manipulator ma dwa tryby pracy: normalna obsługa przez pacjenta oraz obsługa przez uprawniony i wyszkolony personel medyczny. W drugim trybie pracy dostęp do manipulatora może uzyskać wyłącznie wyszkolony personel medyczny przy użyciu breloka.

3.3.1 Obsługa przez pacjenta

- i** Niektóre przyciski na manipulatorze nie reagują na naciśnięcie. To oznacza, że są zablokowane i może ich używać personel medyczny, zależnie od stanu zdrowia pacjenta.

Można używać następujących przycisków manipulatora. Nacisnąć i przytrzymać jeden z przycisków aż do uzyskaniażądanego położenia. Aby zatrzymać ruch, zwolnić przycisk.



Sekcja pleców W GÓRĘ/W DÓŁ



Sekcja nóg W GÓRĘ/W DÓŁ



Podpora materaca W GÓRĘ/W DÓŁ



Przechył anty-Trendelenburga

PL

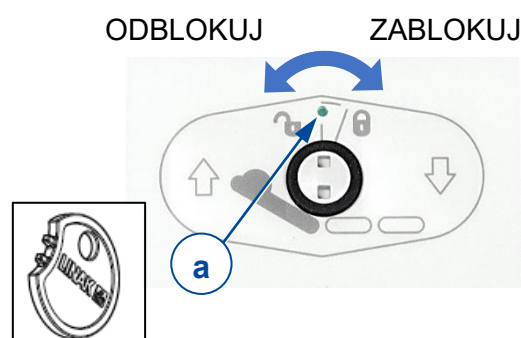
3.3.2 Funkcja blokady (tylko dla personelu medycznego)

Aby zapobiec niezamierzonym ruchom łóżka wywołanym przez pacjenta, manipulator można zablokować za pomocą breloka.

Aby zablokować/odblokować, musi być przekręcona z pomocą kluczyka w jedną lub w drugą stronę.

Wskaźnik (a) pośrodku zmienia się na

- zielony, gdy przycisk jest odblokowany;
- żółty, gdy przycisk jest zablokowany.



3.4 Obsługa kółek jezdnych

PRZESTROGA Ryzyko odniesienia obrażeń

- Przed użyciem łóżka pielęgnacyjnego wszystkie cztery kierujące koła samonastawne muszą być zablokowane. Jeśli jest zaciśnięty tylko jeden hamulec, łóżko można poruszyć.

i Na prawidłową pracę kierujących kół samonastawnych ma wpływ zużycie oraz zanieczyszczenie kół (woda, olej itp.) Należy sprawdzać stan kół samonastawnych przed każdym użyciem.

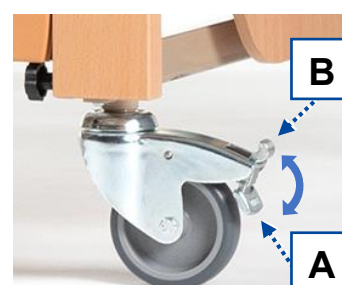
Hamulce na wszystkich kierujących kołach samonastawnych można zaciśnąć, aby zapobiec niezamierzonemu toczeniu.

Blokowanie (A)

Stopkę blokady wcisnąć stopą ku dołowi aż do wyraźnego oporu.

Zwalnianie (B)

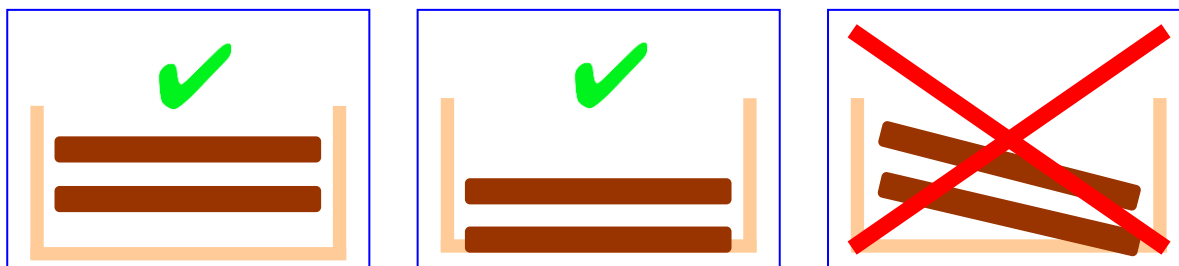
Pchnij stopą powierzchnię blokady do tyłu, aż koło zostanie zwolnione.



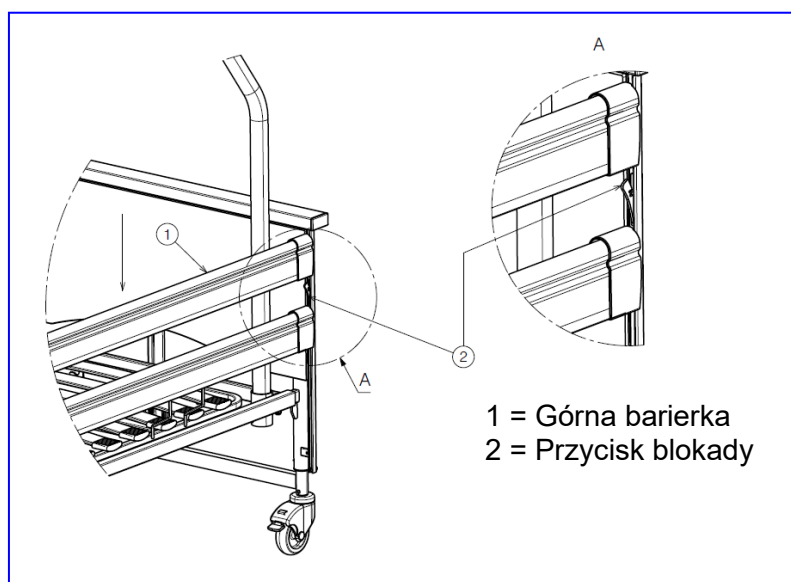
3.5 Obsługa barierek (opcjonalnie)

3.5.1 Barierki drewniane

Upewnij się, że funkcje łóżka nie są zakłócone podczas podnoszenia lub opuszczania barierek.

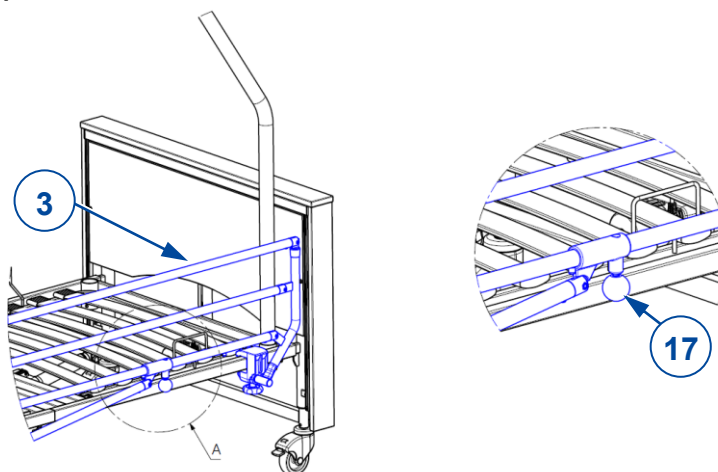


1. Delikatnie unieść górną barierkę.
2. Nacisnąć i przytrzymać przycisk blokady zamocowany w prowadnicy barierek i powoli opuścić barierki. Zawsze należy chwytać tylko za górną deskę.



3.5.2 Barierki metalowe (nie dla Club UL)

- Złożyć poręcz boczną (3): pociągnąć czarną kulistą gałkę (17), aby odblokować poręcz i złożyć ją do dołu.
- Rozkładanie poręczy bocznej (3): pociągnąć poręcz w górę, aż zablokuje się w odpowiednim położeniu.



3.5.3 Barierka dzielona (nie dla Club UL)

- Złożyć poręcz boczną (4): pociągnij pokrętko (20), aby odblokować barierkę i złożyć barierkę w dół. Jeśli konieczne potwórzyc dla drugich barierek po tej samej stronie.
- Rozkładanie poręczy bocznej (4): pociągnąć poręcz w górę, aż zablokuje się w odpowiednim położeniu.



PL

3.6 Ręczne ustawianie sekcji nóg (opcjonalnie)



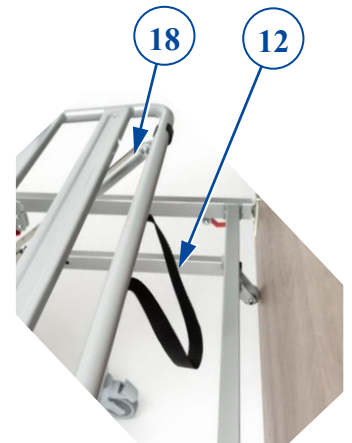
UWAGA

Ryzyko obrażeń z powodu pochwylenia oraz uszkodzeń łóżka

- Upewnić się, że między ruchomymi częściami nie są zakleszczone żadne przedmioty ani osoby postronne.
- Aby ustawić wysokość sekcji nóg, używać wyłącznie paska (12) po stronie stóp.

Podnoszenie nóg/stóp

1. Aby ustawić wysokość nóg i stóp, chwycić pasek po stronie stóp łóżka.
2. Pociągnąć pasek w górę, aby podnieść sekcję nóg podpory materaca na żadaną wysokość. Po zakończeniu ciągnięcia system pozostaje zablokowany w miejscu dzięki wycięciu w okuciu rastomat (18).



Opuszczanie nóg/stóp

1. Aby opuścić, pociągnąć pasek maksymalnie w górę w celu odblokowania okucia rastomat (18).
2. Trzymając pasek, powoli opuścić sekcję nóg.

3.7 Przenoszenie się na łóżko/z łóżka



PRZESTROGA

Ryzyko upadku

- Jeśli pacjent nie może się bezpiecznie przenieść (przesiąść) na łóżko/z łóżka, powinien poprosić o pomoc.

Kładzenie się na łóżku

1. Sprawdzić, czy hamulce kół samonastawnych są zaciśnięte, patrz 3.4.
2. Ustawić wysokość łóżka przy użyciu manipulatora, patrz 3.3.
3. Opuścić poręcz boczną, patrz 3.5.
4. Staćć możliwie najbliżej boku łóżka.
5. Przenoszenie na łóżko. Użyć wysięgnika do podnoszenia z uchwytem trójkątnym, aby przenieść się na łóżko.
6. Podnieść poręcz boczną, patrz 3.5.

Wstawanie z łóżka

1. Ustawić łóżko w takim położeniu, aby najwygodniej było z niego wstać:
 - Opuścić dolną sekcję nóg, patrz 3.6 lub 3.3.
 - Opuścić poręcz boczną, patrz 3.5.
 - Ustawić łóżko nisko przy użyciu manipulatora, patrz 3.3.
2. Usiąść na łóżku, z nogami zwieszonymi poza łóżko. Użyć wysięgnika do podnoszenia z uchwytem trójkątnym, aby wstać/przenieść się z łóżka.

4 Konserwacja

Łóżko pielęgnacyjne wymaga jedynie minimalnej konserwacji. Jednak aby zapewnić bezproblemową eksploatację przez wiele lat, doradzamy jego regularne sprawdzanie.

4.1 Punkty poddawane konserwacji

UWAGA

Ryzyko uszkodzenia

- Naprawa i wymiana części mogą być wykonywane tylko przez osoby przeszkolone. Należy używać wyłącznie oryginalnych części zamiennych Vermeiren.
 - i** • Na ostatniej stronie instrukcji znajduje się formularz dla wyspecjalizowanego sprzedawcy, służący do odnotowywania wszystkich czynności serwisowych.
 - Częstotliwość serwisu zależy od częstotliwości i intensywności użytkowania. Skontaktować się z wyspecjalizowanym sprzedawcą, aby uzgodnić harmonogram kontroli/konserwacji/napraw.
 - Informacje na temat najbliższego punktu serwisowego lub wyspecjalizowanego sprzedawcy można uzyskać w najbliższym oddziale firmy Vermeiren.

Co roku / w przypadku każdego nowego użytkownika

Przed przekazaniem łóżka pielęgnacyjnego nowemu pacjentowi, a przynajmniej raz w roku, należy wykonać serwis i dezynfekcję łóżka. Więcej informacji w tej kwestii udostępni wyspecjalizowany sprzedawca.

Co miesiąc

Regularnie kontrolować wizualnie następujące punkty:

- Kółka samonastawne powinny być czyste i wolne od drutów, włosów, piasku i włókien z dywanów.
- Sprawdzać działanie hamulców. Jeśli można przesunąć łóżko, gdy hamulce są zablokowane, powinno się sprawdzić koła i hamulce pod kątem zużycia, uszkodzeń i zabrudzenia, np. olejem lub wodą.
- Manipulator, silniki, punkty podłączenia i kable: sprawdzić pod kątem uszkodzeń, takich jak przetarte i przerwane przewody elektryczne, uszkodzona izolacja.
- Sprawdzić, czy wszystkie części są zabezpieczone.
- Sprawdzić wszystkie części pod kątem uszkodzeń i zużycia. Skontaktować się z wyspecjalizowanym sprzedawcą w kwestii ewentualnych napraw lub wymiany części.

Co tydzień

Czyszczenie:

- Usunąć kurz miękką ściereczką lub odkurzaczem.
- W razie zabrudzeń przenieść pacjenta poza łóżko i zdjąć materac. Wszystkie części wytrzeć wilgotną (ale nieociekającą wodą) ściereczką. W razie konieczności używać łagodnego detergentu odpowiedniego do mycia powierzchni lakierowanych i z tworzyw sztucznych.

W przypadku przechowywania

Upewnić się, że łóżko jest przechowywane w stanie suchym, aby zapobiec pleśnieniu i rdzewieniu, szczegóły – patrz rozdział 5.

4.2 Instrukcje konserwacji

4.2.1 Czyszczenie

UWAGA

Ryzyko uszkodzenia spowodowanego wilgocią

- Manipulator, silniki i punkty podłączania powinny być czyste i zabezpieczone przed wilgocią.
- Konsola kierownicza powinna być czysta i chroniona przed wodą i deszczem.
- Do czyszczenia łóżka nigdy nie używać strumienia wody z węża ani myjki wysokociśnieniowej.

Wszystkie twarde części łóżka wycierać wilgotną (ale nie ociekającą wodą) ściereczką. W razie konieczności używać łagodnego detergentu odpowiedniego do mycia powierzchni lakierowanych i z tworzyw sztucznych. Tapicerkę można czyścić letnią wodą z łagodnym detergentem. Do czyszczenia nie używać ściernych środków czyszczących.

4.2.2 Dezynfekcja

UWAGA

Ryzyko uszkodzenia

Dezynfekcję mogą wykonywać wyłącznie osoby odpowiednio przeszkolone. Zasięgnąć porady u wyspecjalizowanego sprzedawcy.

Użyj miękkiej, wilgotnej szmatki i letniej wody z delikatnym środkiem dezynfekującym aby wyczyścić łóżka.

4.3 Diagnozowanie i rozwiązywanie problemów

Nawet jeśli łóżko pielęgnacyjne jest użytkowane prawidłowo, może wystąpić problem techniczny. W takim przypadku skontaktować się z lokalnym wyspecjalizowanym sprzedawcą.



UWAGA

Ryzyko obrażeń i uszkodzeń łóżka pielęgnacyjnego

- NIGDY nie podejmować samodzielnych prób naprawy łóżka pielęgnacyjnego w celu rozwiązania problemu.

Następujące objawy mogą oznaczać problem. Jeśli wystąpią któreś z poniższych sytuacji, zawsze należy się skontaktować z wyspecjalizowanym sprzedawcą.

- Nietypowe dźwięki;
- Przetarte/uszkodzone kable zasilania;
- Pęknięte lub połamane złącza;
- Szarpiące ruchy sekcji ramy;
- Uszkodzone lub zniszczone kółka samonastawne;
- Łóżko pielęgnacyjne jest podłączone do zasilania, ale manipulator nie działa.

4.4 Oczekiwany okres użytkowania

Przeciętny okres użytkowania łóżka to 5 lat. Ten czas może być dłuższy lub krótszy, zależnie od częstotliwości korzystania i konserwacji łóżka.

4.5 Ponowne użycie

Przed każdym ponownym użyciem łóżko należy zdezynfekować, skontrolować i poddać konserwacji zgodnie z instrukcjami w §4.1 i §4.2.

4.1 Koniec użytkowania

Po zakończeniu użytkowania należy poddać łóżko pielęgnacyjne utylizacji zgodnie z lokalnie obowiązującymi przepisami w zakresie ochrony środowiska. Najlepszym sposobem, aby to zrobić, jest demontaż łóżka pielęgnacyjnego w celu ułatwienia transportu części nadających się do przetworzenia.

5 Parametry techniczne

Dane techniczne zamieszczone poniżej dotyczą tylko tego łóżka pielęgnacyjnego, przy standardowych ustawieniach i optymalnych warunkach otoczenia. Podczas użytkowania należy uwzględnić te dane.

Wartości będą nieważne, jeśli łóżko pielęgnacyjne zostanie zmodyfikowane, uszkodzone lub w dużym stopniu zużyte.

Tabela 1: Parametry techniczne

Producent	Vermeiren
Typ	Łóżko pielęgnacyjne
Model	Club
Maksymalna waga użytkownika	165 kg

Opis	Min.	Maks.
Długość	Club: 2125 mm Club VARIO, Club UL: 2175 mm	
Szerokość	Club: 1005 mm Club VARIO, Club UL: 1037 mm	
Wysokość (bez wysięgnika)	Club, Club VARIO: 834 - 1262 mm Club UL: 725 – 1135 mm	
Wysokość (z wysięgnika)	Club, Club VARIO: 1710 - 2120 mm Club UL: 1605 – 2015 mm	
Zakres regulacji wysokości leża (pozycji 1)	Club: 350 mm (bez materaca) Club VARIO: 335 mm (bez materaca) Club UL: 215 mm	Club: 760 mm (bez materaca) Club VARIO: 745 mm (bez materaca) Club UL: 625 mm
Zakres regulacji wysokości leża (pozycji 2)	Club VARIO: 400 mm (bez materaca)	Club VARIO: 810 mm (bez materaca)
Długość po złożeniu	441 mm	
Szerokość po złożeniu	1037 mm	
Wysokość po złożeniu	1352 mm	
Waga całkowita	Club: 60,8 kg Club VARIO: 62 kg Club UL: 73,5 kg	
Maksymalny zakres regulacji zagłówka	69°	
Maksymalny zakres regulacji dla części udowej podnóżka	20,7°	
Maksymalny zakres regulacji dla części podudowej podnóżka	-16,5°	
Kąt anty-Trendelenburga	10,6°	
Maksymalny kąt dla zagłówka *	80,5°	
Maksymalny kąt dla części udowej podnóżka *	20,7°	
Maksymalny kąt dla części podudowej podnóżka *	-28,5°	
max. obciążenie robocze **	200 kg	
Wysięgnik	Dopuszczalne obciążenie 80 kg	
Materac	Min. RG 35,120 mm grubości, 2000 x 900 mm, max. 20 kg	



Wysokość przejazdowa (pod ramą podnośnika)	Club, Club vario: 150 mm Club UL: 30 mm	
Kółka jezdne (4 sztuki)	Ø 100 mm, blokowane	
Motor podnośnika	LA24090405E001B4, Linak	
Motor zagłówka	LA24050110G00134, Linak	
Motor podnóżka	LA24060060G001B4, Linak	
Sterowanie ręczne	HLW074-029, Linak	
Transformator	CA2+06473N090A0, Linak	
Parametry prądu transformatora	U in: 230 V~, ± 10%, 50 Hz, lin: max. 1.5 A, Uout: 24V ---, 3,5 A	
Czas pracy	10%, max. 2 min / 18min	
Poziom hałasu	< 65 dB (A)	
Klasa bezpieczeństwa	Bezpieczeństwo kl. II, Typ B / IPX4 (wodoszczelny)	
Temperatura przechowywania i użytkowania	+ 5 °C	+ 41 °C
Wilgotność powietrza do przechowywania i użytkowania	30%	70%
Producent zastrzega sobie prawo do wprowadzania zmian parametrów technicznych. Tolerancja pomiarów ± 15 mm / 1,5 kg / 1,5°.		
* Zmierzone zgodnie z IEC 60601-2-52, z poziomą płaszczyzną odniesienia, ewentualnie w połączeniu z pozycją anti-Trendelenburga		
** Maks. bezpieczne obciążenie robocze = masa użytkownika + masa materaca + masa innych akcesoriów		

PL

Obsah

Obsah	1
Úvod	2
1 Tento výrobek	3
2 Před použitím	4
2.1 Určené použití.....	4
2.2 Obecné bezpečnostní pokyny.....	4
2.3 Symboly na ošetřovatelském lůžku.....	5
3 Použití tohoto ošetřovatelského lůžka	6
3.1 Sestavení / rozebrání, přeprava a skladování.....	6
3.2 Instalace	6
3.3 Použití ovladače	6
3.4 Ovládání řídicích koleček.....	7
3.5 Manipulace s postranicemi (volitelné).....	8
3.6 Ruční nastavení nožní sekce (volitelné)	9
3.7 Přesun na lůžko/z lůžka	9
4 Údržba	10
4.1 Body údržby.....	10
4.2 Pokyny pro údržbu	10
4.3 Řešení problémů	11
4.4 Očekávaná životnost.....	11
4.5 Znovupoužití výrobku.....	11
4.6 Konec používání	11
5 Technické údaje	12

Úvod

Blahopřejeme! Nyní jste vlastníkem ošetřovatelského lůžka Vermeiren!

Toto ošetřovatelské lůžko bylo vyrobeno výbornými pracovníky s kvalifikací. Navíc bylo navrženo a vyrobeno podle vysokých standardů kvality, nad nimiž dohlíží společnost Vermeiren.

Děkujeme za Vaši důvěru ve výrobky společnosti Vermeiren. Tento návod slouží k tomu, aby vám pomáhal s použitím tohoto lůžka a jeho provozních možností. Řádně si jej přečtěte; pomůže vám seznámit se s provozem, schopnostmi a omezeními tohoto lůžka.

Máte-li po přečtení tohoto návodu nějaké dotazy, obraťte se bez obav na svého odborného prodejce. Rád vám v této věci pomůže.

Důležitá poznámka

Aby byla zajištěna vaše bezpečnost a prodloužena životnost tohoto výrobku, věnujte mu řádnou péči a nechávejte jej pravidelně kontrolovat a opravovat.

V tomto návodu se odráží nejnovější vývoj výrobku. Společnost Vermeiren má právo provádět změny tohoto typu výrobku, aniž by byla povinna upravit nebo nahradit podobné výrobky, které již byly dodány.

Obrázky slouží k objasnění pokynů v tomto návodu. Vyobrazené detaily se mohou od vašeho produktu lišit.

Dostupné informace

Nejnovější verzi následujících informací vždy najdete na našich webových stránkách <http://www.vermeiren.com/>. Tyto webové stránky pravidelně navštěvujte pro případné aktualizace.

Osoby se zrakovým postižením si mohou stáhnout elektronickou verzi tohoto návodu, kterou jim může přečíst softwarová aplikace text-to-speech.



- Tento návod
Pro uživatele a odborného prodejce



- Instalační pokyny (pokyny pro sestavení a rozebrání)
Pro odborného prodejce



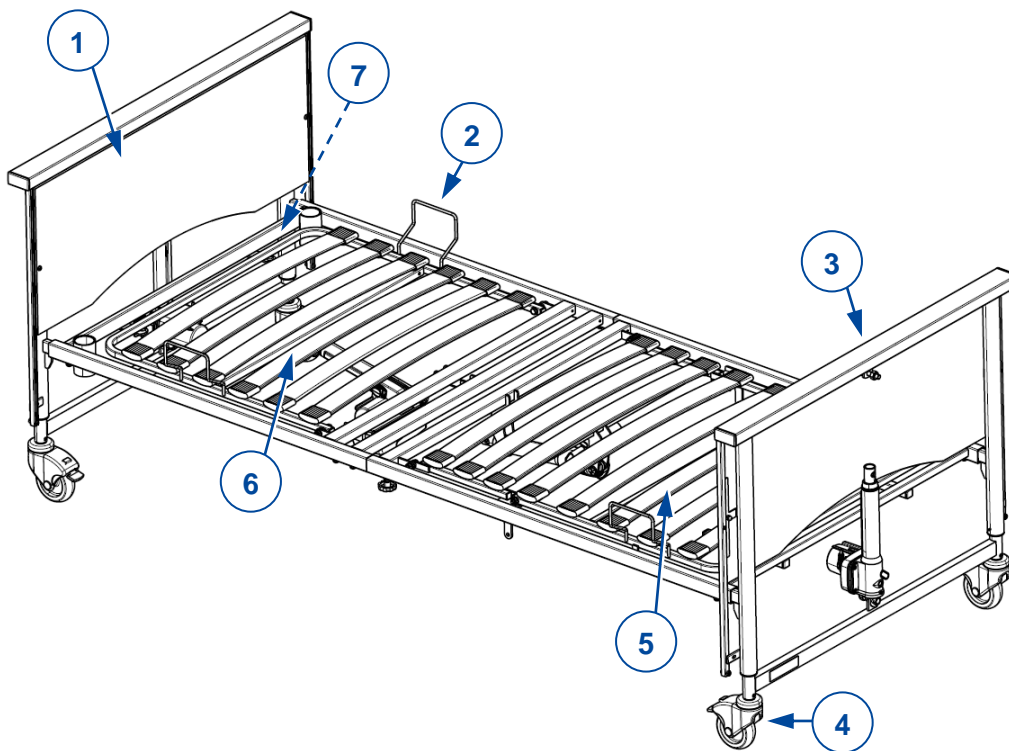
- Servisní příručka (Postele)
Pro odborného prodejce



- Prohlášení o shodě ES
Pro uživatele a odborného prodejce

1 Tento výrobek

1. Hlavové čelo
2. Držák matrace
3. Nožní čelo
4. Kolečko
5. Nožní část
6. Hlavová část
7. Identifikační štítek



2 Před použitím

2.1 Určené použití


V tomto odstavci je uveden stručný popis zamýšleného použití tohoto ošetřovatelského lůžka. Dále jsou k pokynům v dalších odstavcích přidána příslušná upozornění. Tímto způsobem chceme upozornit na případné chybné použití, k němuž může dojít.

- Toto ošetřovatelské lůžko je klasifikováno jako elektrický výrobek třídy II a lze jej používat pouze v interiéru.
- Toto ošetřovatelské lůžko je konstruováno a vyrobeno výhradně jako odpočívadlo k uložení jedné (1) osoby s maximální vahou 165 kg.
- Ošetřovatelské lůžko je určeno pro použití v domácí péči v souladu s normou IEC 60601-2-52, aplikační prostředí 4.
- Na tomto lůžku používejte pouze vhodné matrace, podrobnosti viz kapitola 5.
- Používejte pouze příslušenství a náhradní díly schválené společností Vermeiren.
- Záruka tohoto výrobku je založena na běžném použití a údržbě, jak je to popsáno v tomto návodu. V případě poškození výrobku způsobeného nesprávným použitím či absencí údržby tato záruka zanikne.

2.2 Obecné bezpečnostní pokyny

 **VAROVÁNÍ** Riziko zranění anebo poškození

Bez souhlasu výrobce neprovádějte na posteli žádné úpravy.

 **UPOZORNĚNÍ** Riziko zranění anebo poškození

Postupujte podle pokynů v tomto návodu a dodržujte bezpečnostní pokyny. Jinak může dojít ke zranění vás či osob v blízkosti nebo k poškození ošetřovatelského lůžka.

- Používejte lůžko pouze na vodorovné pevné podlaze, které se dotýkají všechna čtyři kolečka.
- Když pacient zůstane bez dozoru v posteli, ponechte lůžko v nejnižší možné poloze.
- Nepřekračujte max. zatížení, které je uvedeno v kapitole 5.
- Lůžko NIKDY nepoužívejte jako dopravní prostředek, žebřík ani k uložení těžkých či horkých předmětů.
- Výrobce neodpovídá za škody způsobené absencí řádného servisu či vzniklé nedodržováním pokynů v tomto návodu.
- Toto lůžko bylo testováno na elektromagnetickou kompatibilitu a danému standardu vyhovuje. Navzdory této kompatibilitě je možné, že bude provozní výkon ovlivněn elektromagnetickými poli, jež vyzařují mobilní telefony či elektrické generátory energetických zdrojů.
- Je možné, že bude elektronika lůžka ovlivňovat další elektronická zařízení. Proto doporučujeme ověřit, není-li toto lůžko poškozeno či opotřebováno, viz kapitola 4.
- Do lůžka nepřidávejte žádná mechanická ani elektrická zařízení.
- Zajistěte, aby při provozování lůžka nebyly mezi jeho pohyblivými částmi zachyceny žádné předměty ani kabely. Dbejte na to, aby se napájecí kabel nepoškodil pohyblivými se částmi nebo ostrými hranami nebo tím, že by se dostal pod kola.

V případě, že došlo k závažnému incidentu s vaším výrobkem, informujte společnost Vermeiren nebo svého specializovaného prodejce a příslušný úřad ve vaší zemi.

2.3 Symboly na ošetřovatelském lůžku

Tohoto ošetřovatelského lůžka se týkají symboly v následujícím seznamu. Chybějící symboly lze vyhledat v příslušné normě ISO (ISO 7000, ISO 7001 a IEC 417).



Maximální váha uživatele (kg)



Maximální bezpečná pracovní zátěž (kg)



Maximální tloušťka matrace (mm)



Rozměry matrace (cm)



Typové označení



Nebezpečí skřípnutí

3 Použití tohoto ošetřovatelského lůžka

3.1 Sestavení / rozebrání, přeprava a skladování

Lůžko bude sestaveno odborným prodejcem podle pokynů v návodu k instalaci.

K přepravě jsou všechny části umístěny na přepravní vozík. Upevněte přepravní vozík a části lůžka řádně k vozidlu, aby se během přepravy nepohybovaly.

Není-li lůžko používáno, uložte jej na suché místo, podrobnosti viz kapitola 5.

3.2 Instalace

UPOZORNĚNÍ

Riziko zranění a poškození

- Před přesunem lůžka zajistěte, aby v něm nikdo nebyl.
 1. Není-li lůžko ještě sestaveno, sestavte jej podle pokynů uvedených v návodu k instalaci.
 2. Při používání lůžka zajistěte, aby byly všechny deky a lůžkoviny uvnitř bočních zábran.
 3. Odpojte napájecí kabel ze zásuvky a konec kabelu položte na lůžko.
 4. Deaktivujte všechny brzdy na otočných kolečkách, viz 3.4.
 5. Zajedťte s prázdným lůžkem na místo.
 6. Na místě pro lůžko zaktivujte čtyři brzdy, viz 3.4.
 7. Napájecí kabel lůžka zapojte do el. zásuvky o napětí 220/230 V~.

3.3 Použití ovladače

**UPOZORNĚNÍ**

Riziko zranění

- Pro zajištění bezpečné obsluhy lůžka je změna provozního režimu pomocí přívěsku s magnetickým klíčem povolena POUZE oprávněnému zdravotnickému personálu.

Lůžko se dodává s ovladačem pro obsluhu jeho pohyblivých částí. Ovladač má dva provozní režimy: normální obsluhu pacientem a obsluhu autorizovaným a vyškoleným zdravotnickým personálem. Ve druhém provozním režimu je ovladač přístupný pouze pomocí přívěsku s klíčem, který je určen pro vyškolený zdravotnický personál.

3.3.1 Obsluha pacientem



Některá tlačítka nemusejí reagovat na jejich stisknutí. V takovém případě jsou zamknuta a smí je používat pouze zdravotnický personál podle vašeho zdravotního stavu.

Na ovladači lze používat následující tlačítka. Stiskněte a podržte jedno z tlačítek, dokud není dosaženo potřebné polohy. Pro zastavení pohybu tlačítko uvolněte.



Zádová sekce NAHORU / DOLŮ



Sekce nohou NAHORU / DOLŮ



Podpěra matrace NAHORU / DOLŮ



Obrácená Trendelenburgerova poloha



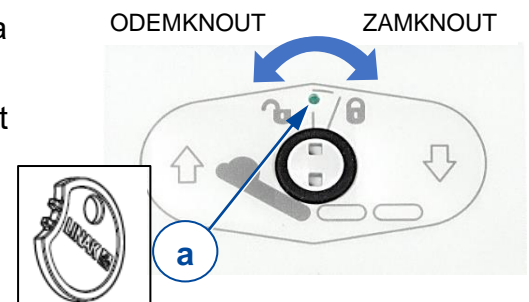
3.3.2 Funkce zámku (pouze pro zdravotnický personál)

Aby nemohl pacient provádět nechtěné pohyby, lze tlačítka na ovladači zamknout pomocí klíče.

Chcete-li zamknout / odemknout, je třeba pomocí klíče otočit malý číselník mezi dvěma tlačítky.

Indikátor (a) uprostřed zámku svítí

- zeleně, když jsou tlačítka odemčena;
- červeně, když jsou tlačítka zamčena.



3.4 Ovládání řídicích koleček



UPOZORNĚNÍ

Riziko zranění

- Před použitím ošetřovatelského lůžka musejí být zamknuta všechna čtyři kolečka. Je-li aktivována jen jedna brzda, může se lůžko stále pohybovat.

i Správnou funkci řídicích koleček ovlivňuje opotřebení a znečištění koleček (voda, olej atd.) Před každým použitím zkontrolujte stav koleček.

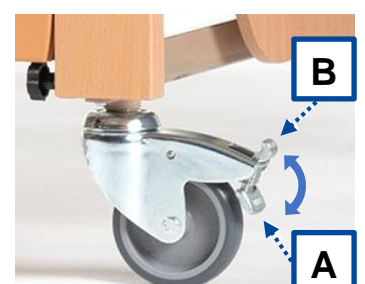
Aby nedošlo k nechtěnému pohybu, lze zaktivovat brzdy na všech řídicích kolečkách.

Zajištění (A)

Zatlačte na horní část sklápěcí páčky směrem dolů, dokud nezabrdí kolečko.

Uvolnění (B)

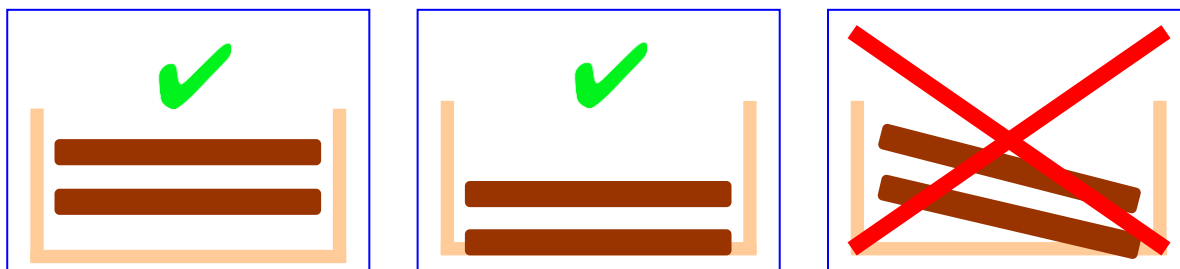
Zatlačte na horní část sklápěcí páčky směrem zpět, dokud se kolečko neuvolní.



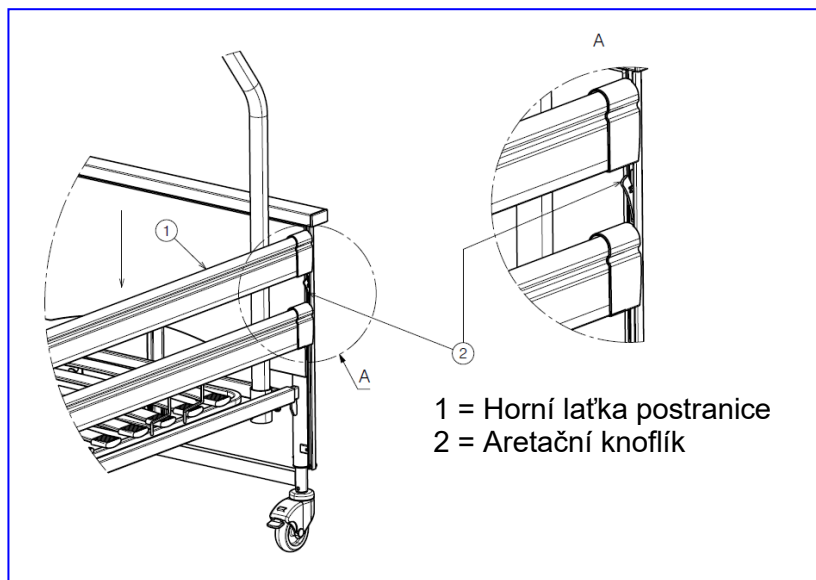
3.5 Manipulace s postranicemi (volitelné)

3.5.1 Dřevěné postranice

Při zvedání nebo spouštění postranic se ujistěte, že nejsou narušeny funkce postele.

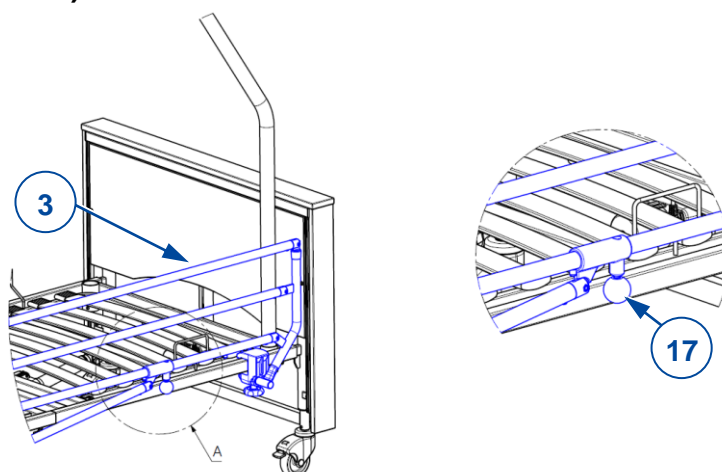


1. Opatrně zvedněte horní laťku postranice.
2. Stiskněte a podržte aretační knoflík na vodící liště a postranici pomalou spusťte. Vždy uchopte pouze horní dřevěnou lištu.



3.5.2 Kovové postranice (neplatí pro klub UL)

- Složte boční zábranu (3): vytažením černého kulového knoflíku (17) odaretujte boční zábranu a složte ji dolů.
- Rozložte boční zábranu (3): vytáhněte zábranu do aretované polohy.



3.5.3 Dělené postranice (neplatí pro klub UL)

- Složte boční zábranu (4): zatáhněte za knoflík (20) pro odemčení postranice a postranici sklopte dolů. Je-li to nutné, opakujte u druhé dělené postranice na stejné straně.
- Rozložte boční zábranu (4): vytáhněte zábranu do aretované polohy.



CS

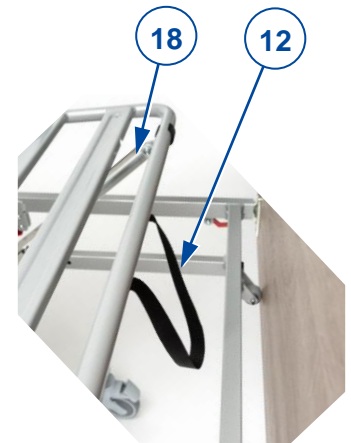
3.6 Ruční nastavení nožní sekce (volitelné)

 **UPOZORNĚNÍ** Riziko zranění skřípnutím nebo poškození lůžka

- Zajistěte, aby nebyly mezi pohyblivými částmi zachyceny žádné předměty či osoby.
- K nastavení výšky nožní sekce slouží pouze popruh (12) na jejím konci.

Zvedání stehen/lýtek

1. Pro zvýšení výšky stehen a lýtek uchopte popruh na konci nožní sekce lůžka.
2. Tažením popruhu nahoru zvedněte nožní sekci podpěry matrace do potřebné výšky. Když přestanete táhnout, systém zůstane aretován v zářezu mechanismu (18).



Spouštění stehen/lýtek

1. Pro snížení výšky odaretujte mechanismus tak, že vytáhněte popruh do nejvyšší polohy (18).
2. Držte popruh a pomalu spouštějte nožní sekci dolů.

3.7 Přesun na lůžko/z lůžka

 **UPOZORNĚNÍ** Nebezpečí pádu

- V případě, že nemůžete přesun provést bezpečně, požádejte někoho o asistenci.

Ulehání na lůžko

1. Ověřte, že jsou aktivovány brzdy otočných koleček, viz 3.4.
2. Nastavte výšku lůžka pomocí ovladače, viz 3.3.
3. Snižte boční zábranu, viz 3.5.
4. Přemístěte se co nejbliže k jedné straně lůžka.
5. Přesuňte se na lůžko. Pro přesun na lůžko použijte zvedací tyč s trapézovým madlem.
6. Zvedněte boční zábranu, viz 3.5.

Vstávání z lůžka

1. Nastavte postel do nejsnazší polohy pro přenos z postele:
 - Snižte stehenní sekci, viz 3.6 nebo 3.3.
 - Snižte boční zábranu, viz 3.5.
 - Nastavte výšku lůžka do nízké polohy pomocí ovladače, viz 3.3.
2. Otočte se do polohy vsedě a nohy dejte mimo lůžko. Pro přesun z lůžka použijte zvedací tyč s trapézovým madlem.

4 Údržba

Toto ošetřovatelské lůžko vyžaduje minimální údržbu, ale doporučujeme jej pravidelně kontrolovat, aby byla obsluha dlouhodobě bez problémů.

4.1 Body údržby

UPOZORNĚNÍ Riziko poškození

- Opravy a výměny smějí provádět pouze vyškolené osoby. Přitom je třeba používat pouze originální náhradní díly společnosti Vermeiren.

- i** • Poslední stránka tohoto návodu obsahuje registrační formulář pro odborného prodejce, který zapíše každý servis.
 - Servisní intervaly závisejí na intenzitě a frekvenci používání. Požádejte svého odborného prodejce o společnou dohodu na rozvrhu kontrol/údržby/oprav.
 - Chcete-li najít servisní středisko či odborného prodejce ve svém okolí, kontaktujte nejbližší pobočku společnosti Vermeiren.

Jednou ročně / pro každého nového uživatele

Toto ošetřovatelské lůžko musí být seřizeno a dezinfikováno před předáním novému uživateli a pak nejméně jednou ročně. Pro další informace se obraťte na svého odborného prodejce.

Jednou měsíčně

Pravidelně vizuálně kontrolujte tyto body:

- Udržujte otočná kolečka bez drátů, vlasů, písku a kobercových vláken.
- Kontrolujte funkci brzd. Můžete-li lůžko posunout při aktivovaných brzdách, musíte zkontrolovat kolečka a brzdy na opotřebení, poškození či kontaminaci, jako je olej, voda atd.
- Ovladač, motory, konektory a kabely: zkontrolujte je na poškození, jako jsou roztřepené, přerušené či odizolované vodiče.
- Ověřte, jsou-li všechny části dobře upevněny.
- Zkontrolujte všechny části na poškození či opotřebení. Pro případné opravy či výměny částí se obraťte na svého odborného prodejce.

Jednou týdně

Čištění:

- Pro utření prachu použijte měkký hadřík či vysavač.
- V případě nečistot uvolněte ošetřovatelské lůžko a vyjměte matraci. Otřete všechny části vlhkým (nikoli mokrým) hadrem. V případě potřeby použijte jemné mýdlo vhodné na laky a syntetické barvy.

Při uložení

Zajistěte uložení lůžka v suchu, aby nedošlo ke vzniku plísní či koroze, podrobnosti viz kapitola 5.

4.2 Pokyny pro údržbu

4.2.1 Čištění

POZOR Riziko poškození vlhkostí

- Udržujte ovladač, motory a konektory čisté a chraňte je před vlhkostí.
- Udržujte ovládací konzolu čistou a chraňte ji před vodou a deštěm.
- K čištění postele nikdy nepoužívejte hadici ani vysokotlaký čistič.

Otřete všechny pevné části postele vlhkým (nikoli mokrým) hadříkem. V případě potřeby použijte jemné mýdlo vhodné na laky a syntetické barvy. Čalounění lze vyčistit vlažnou vodou a jemným mýdlem. K čištění nepoužívejte abrazivní čisticí prostředky.

4.2.2 Dezinfekce

POZOR

Riziko poškození

Dezinfekci mohou provádět pouze kvalifikované osoby. Poradte se se svým prodejcem.

K čištění postele použijte měkký navlhčený hadřík a vlažnou vodu s jemným dezinfekčním prostředkem pro domácnost

4.3 Řešení problémů

I když toto ošetřovatelské lůžko používáte správně, může dojít k technickému problému. V takovém případě se obraťte na svého místního odborného prodejce.

CS



UPOZORNĚNÍ

Riziko zranění a poškození ošetřovatelského lůžka

- NIKDY sami nezkoušejte vyřešit problém opravou tohoto ošetřovatelského lůžka.

Další příznaky mohou znamenat problém. Proto se obraťte na svého odborného prodejce vždy, když zaznamenáte některou z následujících odchylek:

- Divný zvuk;
- Roztřepené/poškozené napájecí kabely;
- Prasklé či rozbité konektory;
- Trhavé pohyby rámových sekcí;
- Poškozená či rozbitá otočná kolečka;
- Ošetřovatelské lůžko je napájeno, ale ovladač není funkční.

4.4 Očekávaná životnost

Průměrná životnost lůžka je 5 let. V závislosti na četnosti použití a údržbě se životnost lůžka prodlouží nebo zkrátí.

4.5 Znovupoužití výrobku

Před každým dalším použitím nechte lůžko dezinfikovat, zkontrolovat a provést servis podle pokynů v odst. 4.1 a odst. 4.2.

4.6 Konec používání

Po skončení životnosti musí být ošetřovatelské lůžko zlikvidováno podle místní legislativy pro životní prostředí. Nejlepším způsobem likvidace je rozebrání ošetřovatelského lůžka pro usnadnění přepravy recyklovatelných součástí.

5 Technické údaje

Technické údaje uvedené níže platí pouze pro toto ošetřovatelské lůžko při standardních nastaveních a optimálních podmínkách okolí. Během používání berete tyto údaje v úvahu. Pokud bylo toto ošetřovatelské lůžko upraveno, poškozeno nebo došlo k jeho velkému opotřebení, nebudou tyto hodnoty platné.

Tabulka 1: Technické údaje

Značka	Vermeiren
Typ	lůžko
Model	Club
Maximální hmotnost uživatele	165 kg

Popis	Min.	Max.
Délka	Club: 2125 mm Club VARIO, Club UL: 2175 mm	
Šířka	Club: 1005 mm Club VARIO, Club UL: 1037 mm	
Výška (bez zvedací hrazdy)	Club, Club VARIO: 834 - 1262 mm Club UL: 725 – 1135 mm	
Výška (se zvedací hrazdou)	Club, Club VARIO: 1710 - 2120 mm Club UL: 1605 – 2015 mm	
Nastavení výšky povrchu lůžka (poloha 1)	Club: 350 mm (bez matrace) Club VARIO: 335 mm (bez matrace) Club UL: 215 mm	Club: 760 mm (bez matrace) Club VARIO: 745 mm (bez matrace) Club UL: 625 mm
Nastavení výšky povrchu lůžka (poloha 2)	Club VARIO: 400 mm (bez matrace)	Club VARIO: 810 mm (bez matrace)
Délka při složení	441 mm	
Šířka při složení	1037 mm	
Výška při složení	1352 mm	
Celková hmotnost	Club: 60,8 kg Club VARIO: 62 kg Club UL: 73,5 kg	
Max. nastavení zádové části	69°	
Max. nastavení stehenní části	20,7°	
Max. nastavení nožní části	-16,5°	
Anti-Trendelenburgův úhel	10,6°	
Max. úhel zádové části *	80,5°	
Max. úhel stehenní části *	20,7°	
Max. úhel nožní části *	-28,5°	
Max. bezpečné zatížení **	200 kg	
Zvedací hrazda	Jmenovitá zátěž 80 kg	
Matrace	Min. RG 35, tloušťka 120 mm, 2000 x 900 mm, max. 20 kg	
Světlá výška pro zvedák pacienta	Club, Club Vario: 150 mm Club UL: 30 mm	
Řídicí kolečka (4 kusy)	Ø 100 mm, lze uzamknout	
Motor v přední části	LA24090405E001B4, Linak	
Motor v části zad	LA24050110G00134, Linak	
Motor v části nohou	LA24060060G001B4, Linak	
Ruční ovladač	HLW074-029, Linak	
Transformátor	CA2+06473N090A0, Linak	
Jmenovité napětí, transformátor	Vstupní napětí: 230 V~, ±10 %, 50 Hz, el. proud: max. 1,5 A, výstupní napětí: 24V_, 3,5 A	



Doba zapnutí	10 %, max. 2 min / 18min	
Úroveň hluku	<65 dB(A)	
Třída/typ ochrany	Třída ochrany II, aplikace typu B / IPX4 (ochrana před stříkající vodou)	
Teplota skladování a používání	+5 °C	+41 °C
Vlhkost skladování a používání	30 %	70 %

Právo na technické změny vyhrazeno. Tolerované odchylky ± 15 mm / 1,5 kg / 1,5°.
*** Měřeno podle IEC 60601-2-52, s vodorovnou referenční rovinou, případně v kombinaci s anti-Trendelenburgovou polohou.**
**** Max. bezpečná pracovní zátěž = hmotnosti uživatele + matrace + příslušenství**





Service registration form

This product (name):

was inspected (I), serviced (S), repaired (R) or disinfected (D):

By (stamp): Kind of work: I / S / R / D Date:	By (stamp): Kind of work: I / S / R / D Date:	By (stamp): Kind of work: I / S / R / D Date:
By (stamp): Kind of work: I / S / R / D Date:	By (stamp): Kind of work: I / S / R / D Date:	By (stamp): Kind of work: I / S / R / D Date:
By (stamp): Kind of work: I / S / R / D Date:	By (stamp): Kind of work: I / S / R / D Date:	By (stamp): Kind of work: I / S / R / D Date:
By (stamp): Kind of work: I / S / R / D Date:	By (stamp): Kind of work: I / S / R / D Date:	By (stamp): Kind of work: I / S / R / D Date:
By (stamp): Kind of work: I / S / R / D Date:	By (stamp): Kind of work: I / S / R / D Date:	By (stamp): Kind of work: I / S / R / D Date:



Vermeiren GROUP
Vermeirenplein 1 / 15
2920 Kalmthout
BE

website: www.vermeiren.com